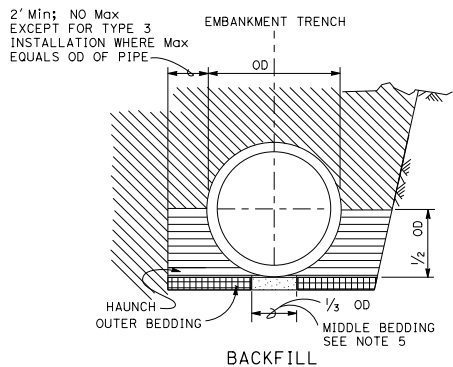


DESIGN NOTES:

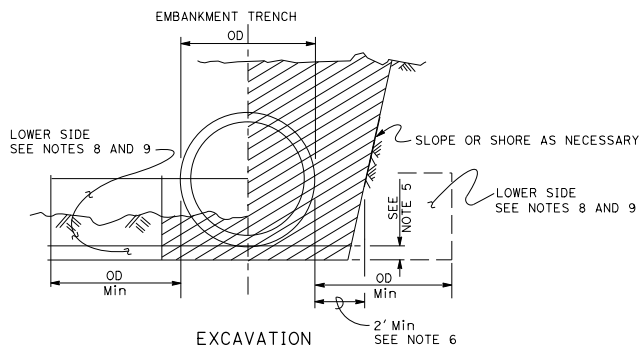
Design: AASHTO LRFD Bridge Design Specifications, 4th edition with California Amendments, ACPA DESIGN DATA 1, October 2007. INDIRECT DESIGN METHOD

Soil: w Fe = 162 pcf Installation Type 1
w Fe = 168 pcf Installation Types 2 & 3
w = Unit weight of soil (pcf)
Fe = Soil-structure interaction factor



LEGEND:

- ROADWAY EMBANKMENT
- STRUCTURE BACKFILL (CULVERT) FOR HAUNCH SEE NOTE 6
- STRUCTURE BACKFILL (CULVERT) FOR OUTER BEDDING SEE NOTE 6
- LOOSE BACKFILL
- STRUCTURE EXCAVATION (CULVERT)



INSTALLATION TYPE 1:

The haunch and outer bedding shall be compacted to a minimum 90 percent relative compaction. In addition, the minimum sand equivalent in these areas shall be 30 and the maximum percentage passing the No. 200 sieve size shall be 12.

INSTALLATION TYPE 2:

The haunch and outer bedding shall be compacted to a minimum 90 percent relative compaction. In addition, the minimum sand equivalent in these areas shall be 25.

INSTALLATION TYPE 3:

The haunch and outer bedding shall be compacted to a minimum 85 percent relative compaction. 90 percent relative compaction will be required where the fill over the pipe is less than 4'-0" or 1/2 OD. In addition, the minimum sand equivalent in these areas shall be 25 and the material shall not contain rocks, broken concrete, or other solid material exceeding 3" in greatest dimension.

INSTALLATION TYPE 1

MINIMUM CLASS AND D-LOAD	COVER	
	60" Dia AND SMALLER	OVER 60" Dia TO 120" Dia Max
CLASS II 1000D	14.9'	12.9'
CLASS III 1350D	15.0' - 21.9'	13.0' - 18.9'
CLASS III SPECIAL 1700D	22.0' - 27.9'	19.0' - 24.9'
CLASS IV 2000D	28.0' - 32.9'	25.0' - 29.9'
CLASS IV SPECIAL 2500D	33.0' - 41.9'	30.0' - 38.9'
CLASS V 3000D	42.0' - 49.9'	39.0' - 46.9'
CLASS V SPECIAL 3600D	50.0' - 60.0'	47.0' - 58.0'

INSTALLATION TYPE 2

MINIMUM CLASS AND D-LOAD	COVER	
	60" Dia AND SMALLER	OVER 60" Dia TO 120" Dia Max
CLASS II 1000D	11.9'	9.9'
CLASS III 1350D	12.0' - 15.9'	10.0' - 14.9'
CLASS III SPECIAL 1700D	16.0' - 20.9'	15.0' - 19.9'
CLASS IV 2000D	21.0' - 24.9'	20.0' - 23.9'
CLASS IV SPECIAL 2500D	25.0' - 31.9'	24.0' - 30.9'
CLASS V 3000D	32.0' - 37.9'	31.0' - 37.9'
CLASS V SPECIAL 3600D	38.0' - 46.0'	38.0' - 46.0'

INSTALLATION TYPE 3

MINIMUM CLASS AND D-LOAD	COVER	
	60" Dia AND SMALLER	OVER 60" Dia TO 120" Dia Max
CLASS II 1000D	8.9'	5.9'
CLASS III 1350D	9.0' - 11.9'	6.0' - 10.9'
CLASS III SPECIAL 1700D	12.0' - 15.9'	11.0' - 13.9'
CLASS IV 2000D	16.0' - 18.9'	14.0' - 17.9'
CLASS IV SPECIAL 2500D	19.0' - 24.9'	18.0' - 22.9'
CLASS V 3000D	25.0' - 29.9'	23.0' - 28.9'
CLASS V SPECIAL 3600D	30.0' - 36.0'	29.0' - 35.0'

NOTES:

- Unless otherwise shown on the plans or specified in the special provision, the Contractor shall have the option of selecting the class of RCP and the type of installation to be used, provided the height of cover does not exceed the value shown for the RCP selected.
Example: 24" RCP culvert with maximum cover of 24'-0" the options are:
a) Class III Special or stronger with Installation Type 1.
b) Class IV or stronger with Installation Type 2.
c) Class IV Special or stronger with Installation Type 3.
Cover is defined as the maximum vertical distance from top of the pipe to finished grade within the length of any given culvert.
- The class of RCP and Installation Type selected shall be the same throughout the length of any given culvert.
- The "length of any culvert" is defined as the culvert between:
a) Successive drainage structure (inlets, junction boxes, headwalls, etc.).
b) A drainage structure and the inlet or outlet end of the culvert.
c) The inlet and outlet end of the culvert when there are no intervening drainage structures.
- Oval and arch shaped RCP shall not be used.
- Bedding depth: 1/8 OD Min, not less than 3".
- Slurry cement backfill may be substituted for backfill in the outer bedding and haunch areas. If slurry is used, the outer and middle beddings shall be omitted. Prior to installation, the soil under the middle 1/3 of the outside diameter of the pipe shall be softened by scarifying or other means to a minimum depth of 1/8 OD, but not less than 3". Where slurry cement backfill is used, clear distance to trench wall may be reduced as set forth in the Standard Specifications.
- Backfill shall be placed full width of excavation except where dimensions are shown for backfill width or thickness. Dimensions shown are minimum.
- Lower side shall be suitable material as determined by the Engineer. Otherwise it shall be considered unsuitable as set forth in the Standard Specifications. See Note 9.
- Where the pipe is placed in a trench, if the trench walls are sloped at 5 vertical to 1 horizontal or steeper for at least 90 percent of the trench height or up to not less than 12" from the grading plane, the firmness of the soil in the lower side need not be considered.
- Non-reinforced precast concrete pipe sizes 3'-0" or smaller may be placed under installation Types 1, 2 or 3.

DIST	COUNTY	ROUTE	POST MILES TOTAL PROJECT	SHEET NO.	TOTAL SHEETS

REGISTERED CIVIL ENGINEER
 July 18, 2014
 PLANS APPROVAL DATE
 No. C59976
 Exp. 6-30-16
 CIVIL
 THE STATE OF CALIFORNIA OR ITS OFFICERS OR AGENTS SHALL NOT BE RESPONSIBLE FOR THE ACCURACY OR COMPLETENESS OF SCANNED COPIES OF THIS PLAN SHEET.

TO ACCOMPANY PLANS DATED _____

STATE OF CALIFORNIA
DEPARTMENT OF TRANSPORTATION
**EXCAVATION AND BACKFILL
CONCRETE PIPE CULVERTS
INDIRECT DESIGN METHOD**
NO SCALE

RSP A62DA DATED JULY 18, 2014 SUPERSEDES STANDARD PLAN A62DA
DATED MAY 20, 2011 - PAGE 24 OF THE STANDARD PLANS BOOK DATED 2010.

REVISED STANDARD PLAN RSP A62DA

2010 REVISED STANDARD PLAN RSP A62DA