

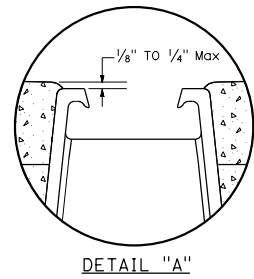
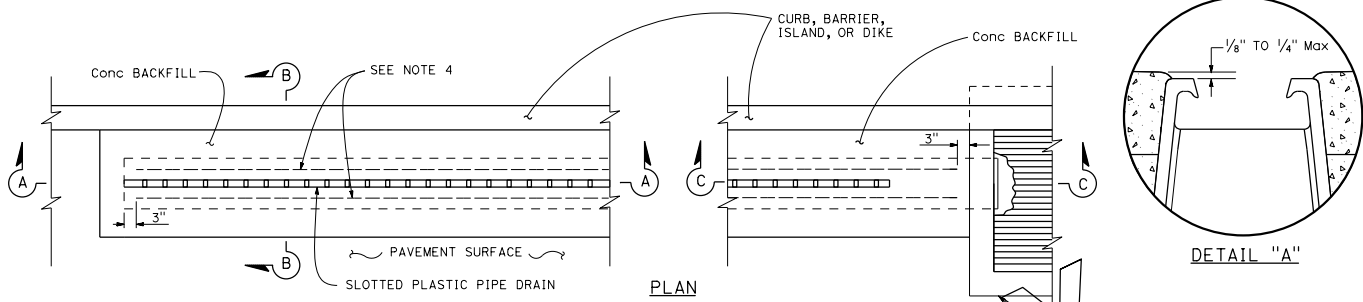
DIST	COUNTY	ROUTE	POST MILES TOTAL PROJECT	SHEET NO.	TOTAL SHEETS

Raymond Don Isztog
REGISTERED CIVIL ENGINEER

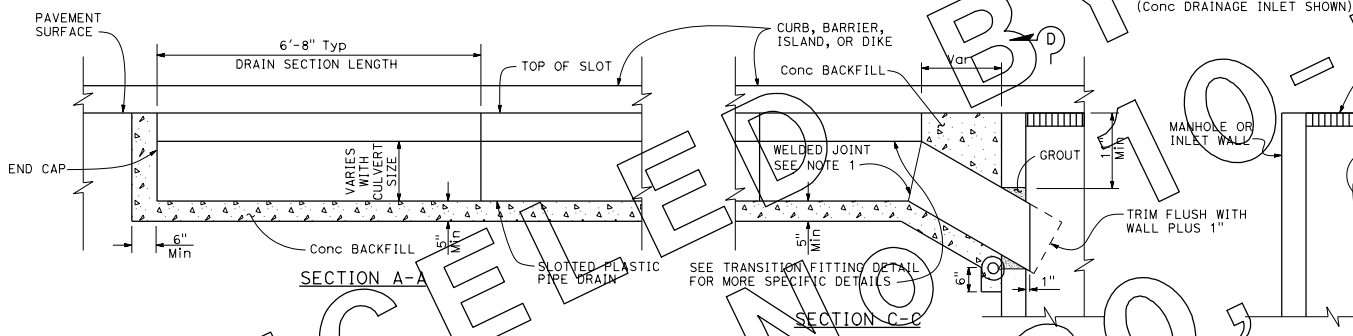
May 20, 2011
PLANS APPROVAL DATE

Raymond Don Isztog
CV7332
Exp. 6-30-12
REGISTERED PROFESSIONAL ENGINEER
STATE OF CALIFORNIA

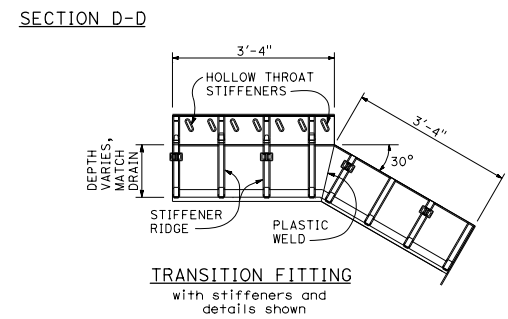
THE STATE OF CALIFORNIA OR ITS OFFICERS OR AGENTS SHALL NOT BE RESPONSIBLE FOR THE ACCURACY OR COMPLETENESS OF SCANNED COPIES OF THIS PLAN SHEET.



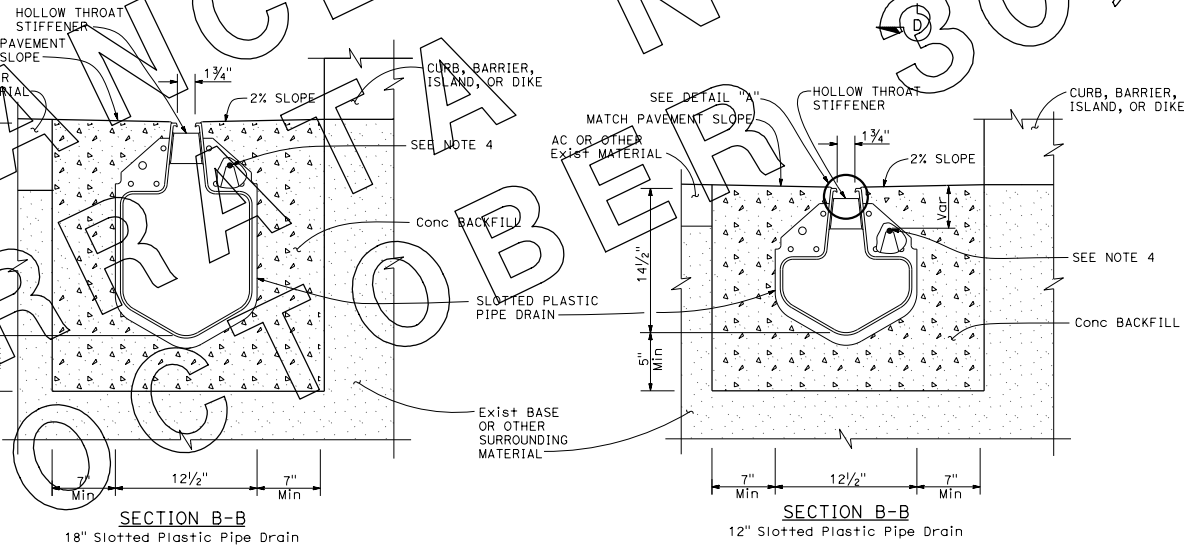
SLOTTED PLASTIC PIPE DRAIN



- NOTES:**
1. Plastic weld shall be factory fabricated.
 2. When Heel Resistant Grate is to be used, see Standard Plan D98E for details.
 3. Exterior wall stiffener ridges and details not shown on section views. See transition fitting detail for typical exterior ridges and throat stiffeners.
 4. Lateral support, #4 bar, to be placed on both sides of slotted plastic pipe.



STATE OF CALIFORNIA
DEPARTMENT OF TRANSPORTATION
SLOTTED PLASTIC PIPE DRAIN DETAILS
NO SCALE



2010 STANDARD PLAN D98D

209

D98D