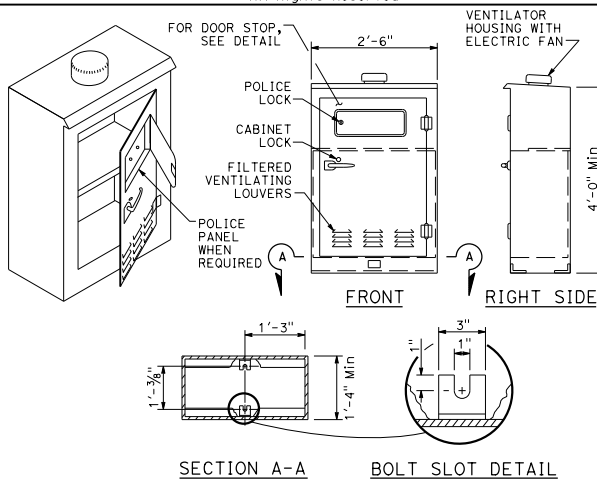


**TYPE G CABINET**



**TYPE M CABINET**

TO ACCOMPANY PLANS DATED \_\_\_\_\_

**NOTES:**

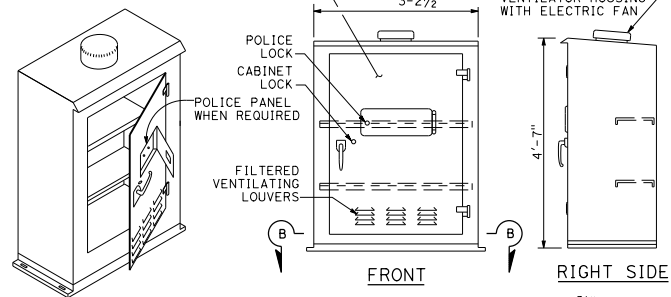
1. Cabinet dimensions are nominal.
2. Cabinet fan may be installed at an alternate location near the top of the cabinet when approved by the Engineer.

DIST	COUNTY	ROUTE	POST MILES TOTAL PROJECT	SHEET NO.	TOTAL SHEETS

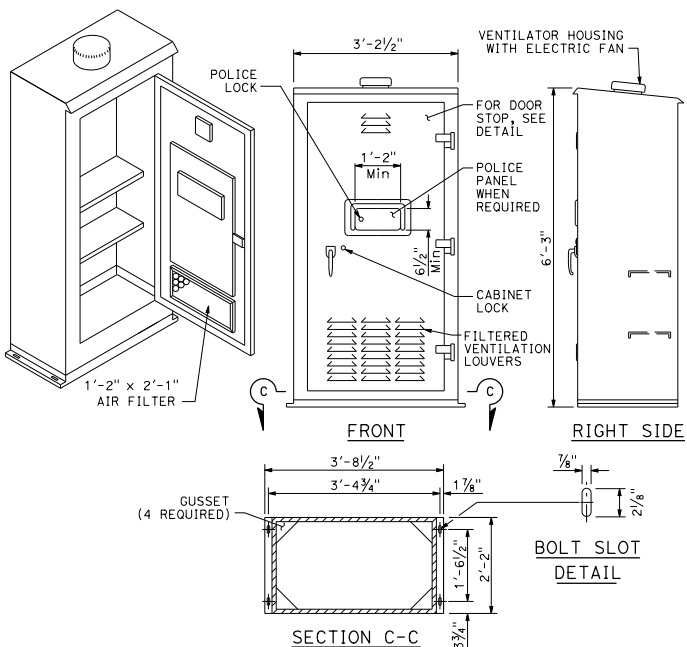
Theresa Gabriel  
REGISTERED ELECTRICAL ENGINEER  
No. E15129  
Exp. 6-30-16  
ELECTRICAL  
STATE OF CALIFORNIA

October 30, 2015  
PLANS APPROVAL DATE

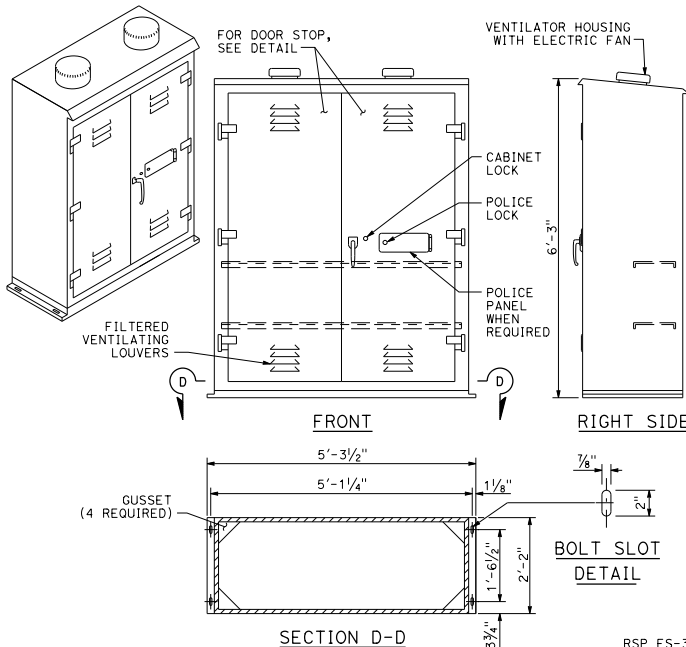
THE STATE OF CALIFORNIA OR ITS OFFICERS OR AGENTS SHALL NOT BE RESPONSIBLE FOR THE ACCURACY OR COMPLETENESS OF SCANNED COPIES OF THIS PLAN SHEET.



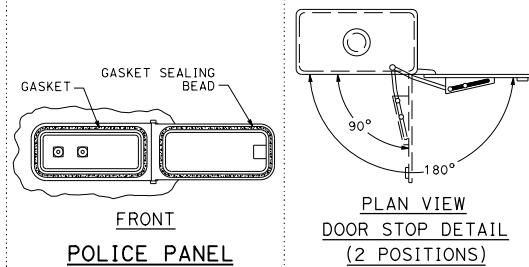
**TYPE P CABINET**



**TYPE R CABINET**



**TYPE S CABINET**



STATE OF CALIFORNIA  
DEPARTMENT OF TRANSPORTATION  
**ELECTRICAL SYSTEMS  
(CONTROLLER CABINET  
DETAILS)**

NO SCALE  
RSP ES-3A DATED OCTOBER 30, 2015 SUPERSEDES STANDARD PLAN ES-3A DATED MAY 20, 2011 - PAGE 435 OF THE STANDARD PLANS BOOK DATED 2010.

**REVISED STANDARD PLAN RSP ES-3A**