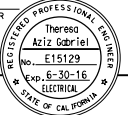
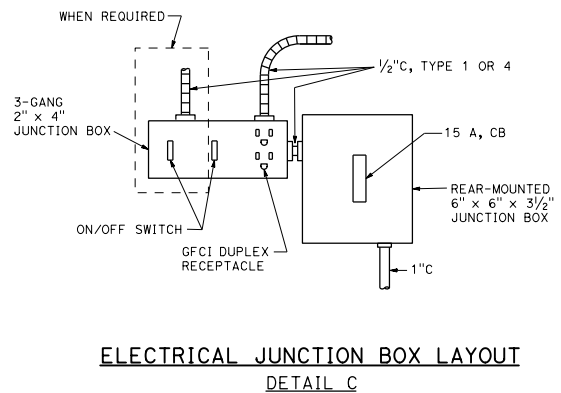
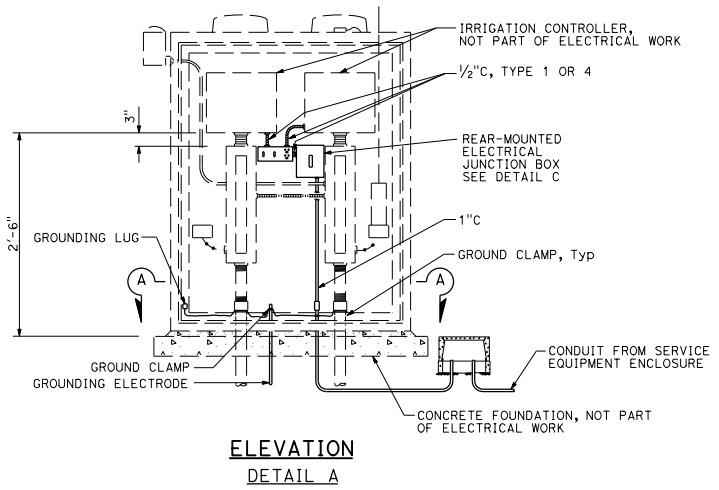
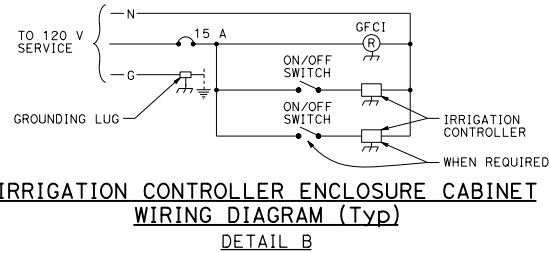
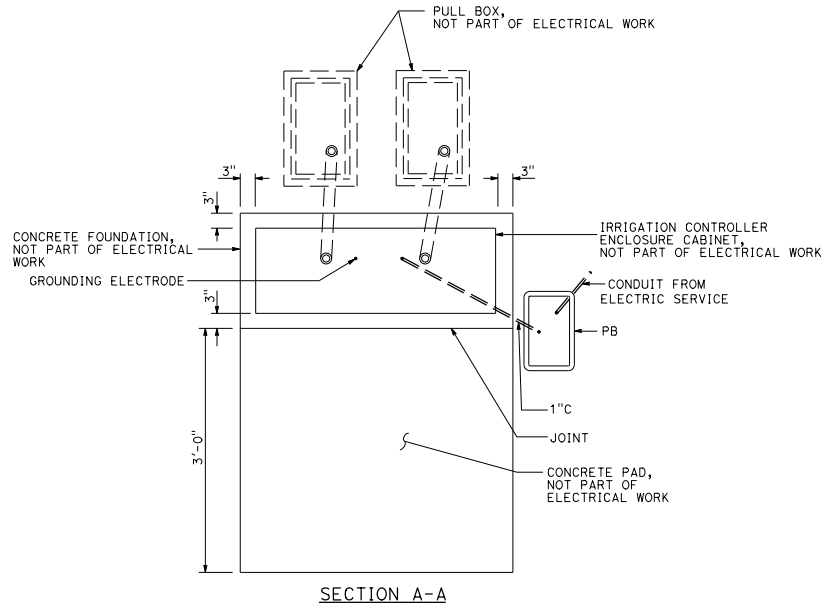


DIST	COUNTY	ROUTE	POST MILES TOTAL PROJECT	SHEET NO.	TOTAL SHEETS
					
Theresa Gabriel REGISTERED ELECTRICAL ENGINEER October 30, 2015 PLANS APPROVAL DATE THE STATE OF CALIFORNIA OR ITS OFFICERS OR AGENTS SHALL NOT BE RESPONSIBLE FOR THE ACCURACY OR COMPLETENESS OF SCANNED COPIES OF THIS PLAN SHEET.					

TO ACCOMPANY PLANS DATED _____

- NOTES:**
1. See Standard Plan H10 for other details.
 2. Underground electrical work done prior to foundation installation.



STATE OF CALIFORNIA
DEPARTMENT OF TRANSPORTATION
**ELECTRICAL SYSTEMS
(IRRIGATION CONTROLLER
ENCLOSURE CABINET)**
NO SCALE

RSP ES-3H DATED OCTOBER 30, 2015 SUPERSEDES STANDARD PLAN ES-3H DATED
MAY 20, 2011 - PAGE 442 OF THE STANDARD PLANS BOOK DATED 2010.
REVISED STANDARD PLAN RSP ES-3H

2010 REVISED STANDARD PLAN RSP ES-3H