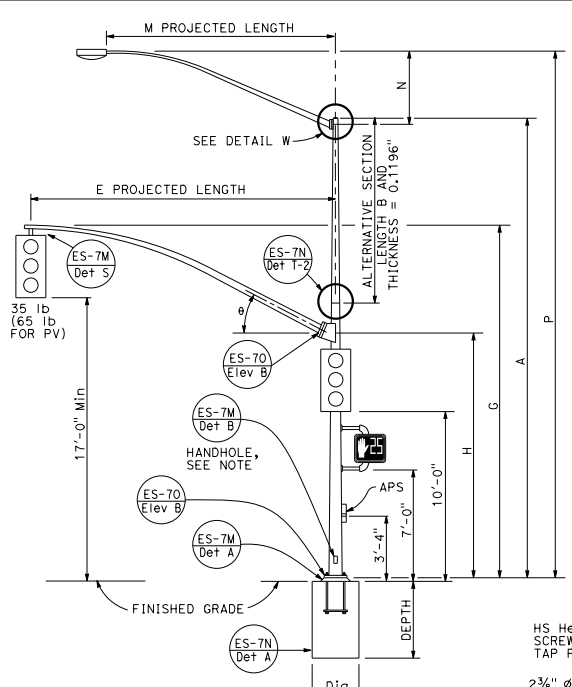
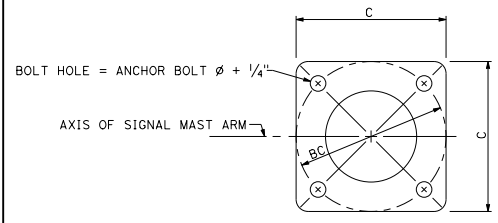


TYPE 16-1-100, 18-1-100
ELEVATION A



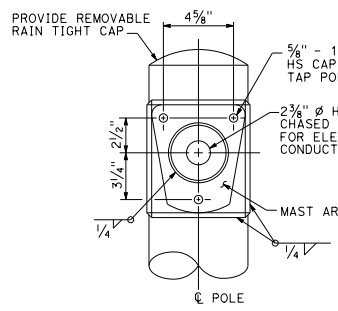
TYPE 19-1-100, 19A-1-100
ELEVATION B



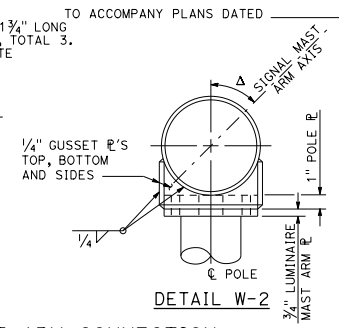
BASE PLATE
DETAIL D

Δ = LUMINAIRE MAST ARM SKEW -90° TO +90°
DEFAULT 0°

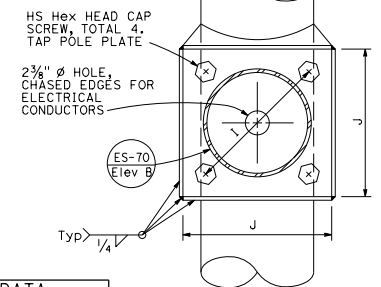
NOTE:
Handhole shall be located on the downstream side of traffic.



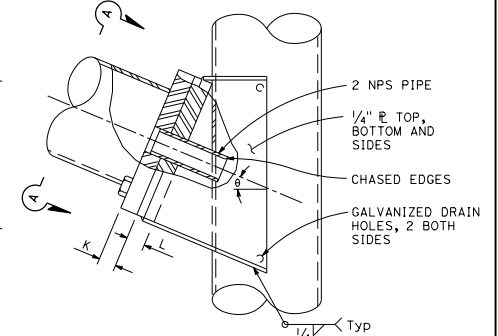
DETAIL W-1
LUMINAIRE MAST ARM CONNECTION



DETAIL W



VIEW A-A



ELEVATION C

SIGNAL MAST ARM CONNECTION
DETAIL C

E PROJECTED LENGTH	G MOUNTING HEIGHT	H	Min OD AT POLE	THICKNESS	I BOLT CIRCLE	HS CAP SCREWS	J PLATE SIZE	K MAST ARM R THICKNESS	L POLE R THICKNESS	θ
15'-0"	21'-8"±	17'-6"	7 3/8"	0.1196"	12"	1 1/4"-7NC-3"	1'-0"	1 1/4"	1 1/2"	23°
20'-0"	22'-8"±	16'-0"								
25'-0"	22'-8"±	16'-0"	8"							
30'-0"	23'-0"±	16'-0"								

M PROJECTED LENGTH	N RISE	Min OD AT POLE	THICKNESS	P MOUNTING HEIGHT	
				30'-0" POLE	35'-0" POLE
6'-0"	2'-0"±	3 1/4"	0.1196"	31'-6"±	36'-6"±
8'-0"	2'-6"±	3 1/2"		32'-0"±	37'-0"±
10'-0"	3'-3"±	3 3/8"		32'-9"±	37'-9"±
12'-0"	4'-3"±	3 7/8"		33'-9"±	38'-9"±
15'-0"	4'-9"±	4 1/4"		34'-3"±	39'-3"±

POLE TYPE	LOAD CASE	WIND VELOCITY (mph)	POLE DATA				BASE PLATE DATA				LUMINAIRE MAST ARM		SIGNAL MAST ARM		CIDH PILE FOUNDATION	
			A HEIGHT	Min OD	THICKNESS	ALTERNATIVE SECTION	C	BC = BOLT CIRCLE	THICKNESS	ANCHOR BOLT SIZE	DIAMETER	DEPTH	REINFORCED			
16-1-100	1	100	18'-6"	8 1/8"	0.1793"	None	1'-5 1/2"	3"	1 1/2" ø x 42"	NONE	15'-0", [20'-0"]	2'-6"	9'-0"	YES		
18-1-100			17'-0"	8 3/8"		None				NONE						
19-1-100			30'-0"	6 1/8"		10'-0"				6 1/8"	6'-15' [12'-0"]				25'-0", [30'-0"]	
19A-1-100			35'-0"	5 1/8"		15'-0"				7 1/8"	5 1/8"				6'-15' [15'-0"]	

□ INDICATES MAST ARM LENGTH TO BE USED UNLESS OTHERWISE NOTED ON PLANS.

STATE OF CALIFORNIA
DEPARTMENT OF TRANSPORTATION
ELECTRICAL SYSTEMS (SIGNAL AND LIGHTING STANDARD, CASE 1 SIGNAL MAST ARM LOADING, WIND VELOCITY = 100 MPH AND SIGNAL MAST ARM LENGTHS 15' TO 30')

NO SCALE
RSP ES-7C DATED OCTOBER 30, 2015 SUPERSEDES RSP ES-7C DATED JULY 19, 2013 AND STANDARD PLAN ES-7C DATED MAY 20, 2011 AND PAGE 464 OF THE STANDARD PLANS BOOK DATED 2010.

REVISED STANDARD PLAN RSP ES-7C

D16+	COUNTY	ROUTE	POST MILES TOTAL PROJECT	SHEET No.	TOTAL SHEETS

Stanley P. Johnson
REGISTERED CIVIL ENGINEER
No. C57393
Exp. 3-31-16
CIVIL
STATE OF CALIFORNIA

October 30, 2015
PLANS APPROVAL DATE

TO ACCOMPANY PLANS DATED _____

THE STATE OF CALIFORNIA OR ITS OFFICERS OR AGENTS SHALL NOT BE RESPONSIBLE FOR THE ACCURACY OR COMPLETENESS OF SCANNED COPIES OF THIS PLAN SHEET.

2010 REVISED STANDARD PLAN RSP ES-7C