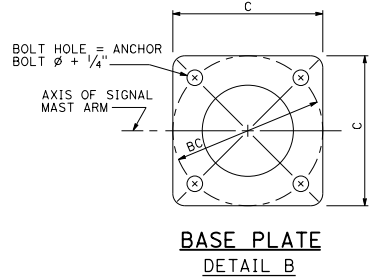


**TYPE 28-5-100**  
ELEVATION A



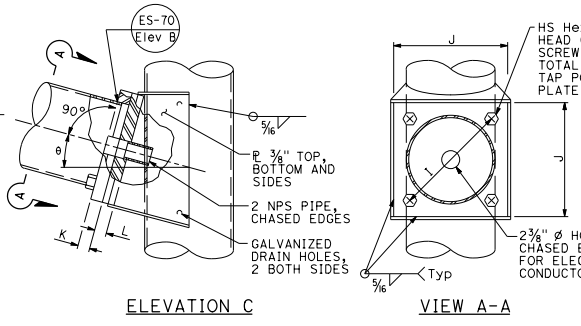
**BASE PLATE**  
DETAIL B

LUMINAIRE MAST ARM DATA					
M PROJECTED LENGTH	N RISE	Min OD AT POLE	THICKNESS	P MOUNTING HEIGHT	
				30'-0" POLE	35'-0" POLE
6'-0"	2'-0"±	3/4"	0.1196"	31'-6"±	36'-6"±
8'-0"	2'-6"±	3/2"		32'-0"±	37'-0"±
10'-0"	3'-3"±	3 7/8"		32'-9"±	37'-9"±
12'-0"	4'-3"±			33'-9"±	38'-9"±
15'-0"	4'-9"±	4 1/4"		34'-3"±	39'-3"±

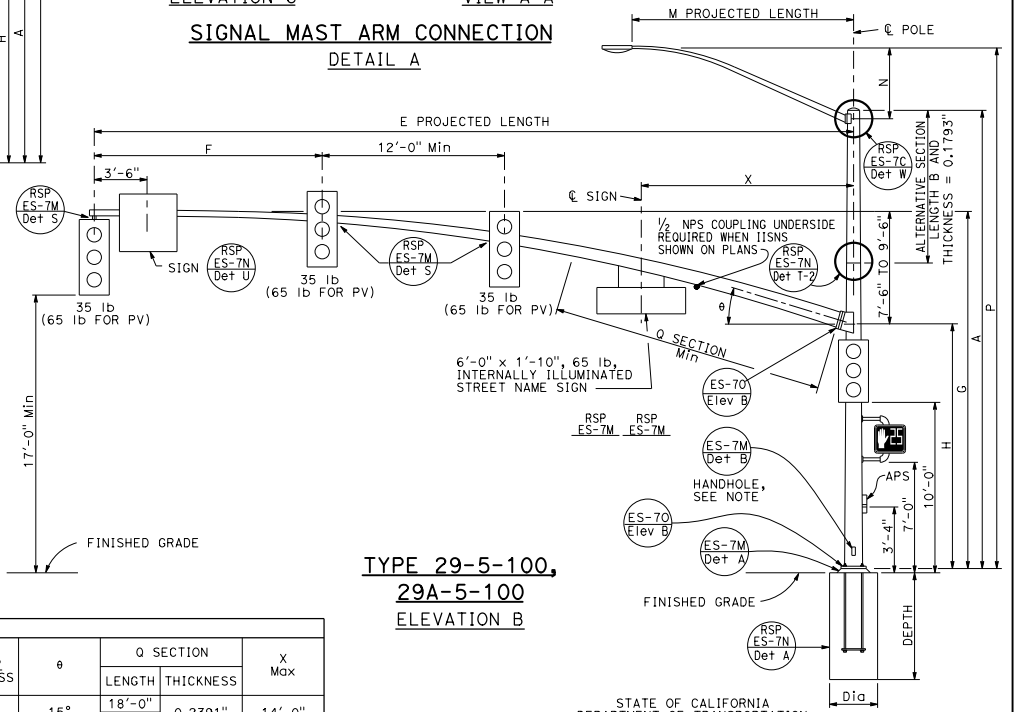
SIGNAL MAST ARM DATA														
E PROJECTED LENGTH	F Min SPACING	G MOUNTING HEIGHT	H	Min OD AT POLE	THICKNESS	I BOLT CIRCLE	HS CAP SCREWS	J PLATE SIZE	K MAST ARM THICKNESS	L POLE P THICKNESS	θ	Q SECTION		X Max
												LENGTH	THICKNESS	
50'-0"	15'-0"	23'-7 1/2" TO 25'-7 1/2"	16'-0"	11 7/8"	0.1793"	16"	1 1/2"-6NC-3/4"	1'-4"	1 3/4"	1 3/4"	15°	18'-0"	0.2391"	14'-0"
55'-0"				23'-0"										

POLE TYPE	LOAD CASE	WIND VELOCITY (mph)	POLE DATA				BASE PLATE DATA				LUMINAIRE MAST ARM	SIGNAL MAST ARM	CIDH PILE FOUNDATION				
			A HEIGHT	Min OD	THICKNESS	ALTERNATIVE SECTION B LENGTH	THICKNESS	ANCHOR BOLT SIZE	Di	DEPTH			REINFORCED				
28-5-100	5	100	17'-0"	11 7/8"	0.3125"	NONE	23"	21"	3"	2 1/2" φ x 42"	NONE	50'-0", [55'-0"]	3'-6"	12'-0"	YES		
29-5-100			30'-0"	9 1/8"		10'-0"					11 7/8"					9 1/8"	6'-15' [15'-0"]
29A-5-100			35'-0"	8 5/8"		15'-0"					8 5/8"						

□ INDICATES MAST ARM LENGTH TO BE USED UNLESS OTHERWISE NOTED ON PLANS.



**ELEVATION C**  
**VIEW A-A**  
SIGNAL MAST ARM CONNECTION  
DETAIL A



**TYPE 29-5-100,**  
**29A-5-100**  
ELEVATION B

DIST	COUNTY	ROUTE	POST MILES TOTAL PROJECT	SHEET No.	TOTAL SHEETS

REGISTERED CIVIL ENGINEER  
 Stanley P. Johnson  
 No. C5793  
 Exp. 3-31-16  
 CIVIL  
 STATE OF CALIFORNIA

October 30, 2015  
 PLANS APPROVAL DATE  
 THE STATE OF CALIFORNIA OR ITS OFFICERS OR AGENTS SHALL NOT BE RESPONSIBLE FOR THE ACCURACY OR COMPLETENESS OF SCANNED COPIES OF THIS PLAN SHEET.

TO ACCOMPANY PLANS DATED \_\_\_\_\_

**NOTE:**  
Handhole shall be located on the downstream side of traffic.

STATE OF CALIFORNIA  
DEPARTMENT OF TRANSPORTATION

**ELECTRICAL SYSTEMS**  
**(SIGNAL AND LIGHTING STANDARD,**  
**CASE 5 SIGNAL MAST ARM LOADING,**  
**WIND VELOCITY=100 MPH AND SIGNAL**  
**MAST ARM LENGTHS 50' TO 55')**

NO SCALE

RSP ES-7G DATED OCTOBER 30, 2015 SUPERSEDES RSP ES-7G DATED JULY 19, 2013 AND ES-7G DATED MAY 20, 2011 - PAGE 468 OF THE STANDARD PLANS BOOK DATED 2010.

**REVISED STANDARD PLAN RSP ES-7G**

2010 REVISED STANDARD PLAN RSP ES-7G