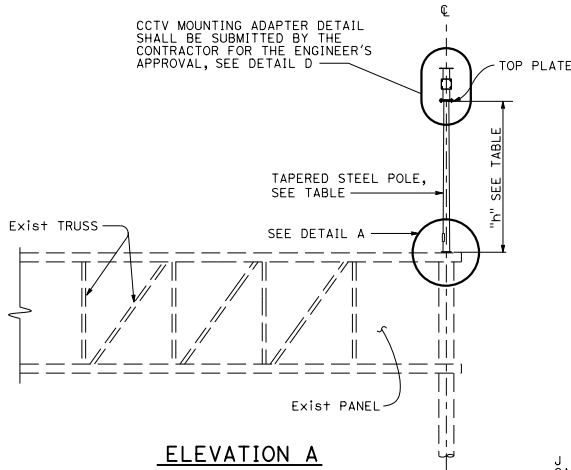
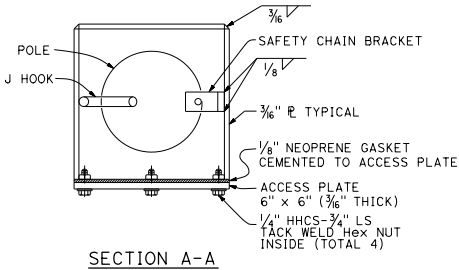


POLE EXTENSION TYPE	POLE DATA				HANDHOLE SIZE
	HEIGHT "h"	Min OD		THICKNESS	
		BASE	TOP		
CCTV 5	5'	4 $\frac{3}{16}$ "	3 $\frac{3}{4}$ "	0.1793"	3" x 5"
CCTV 10	10'	5 $\frac{1}{4}$ "			
CCTV 15	15'	5 $\frac{5}{16}$ "			

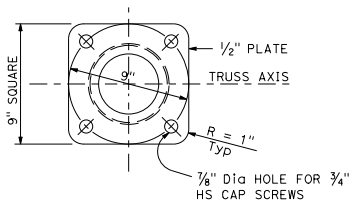
CCTV MOUNTING ADAPTER DETAIL SHALL BE SUBMITTED BY THE CONTRACTOR FOR THE ENGINEER'S APPROVAL, SEE DETAIL D



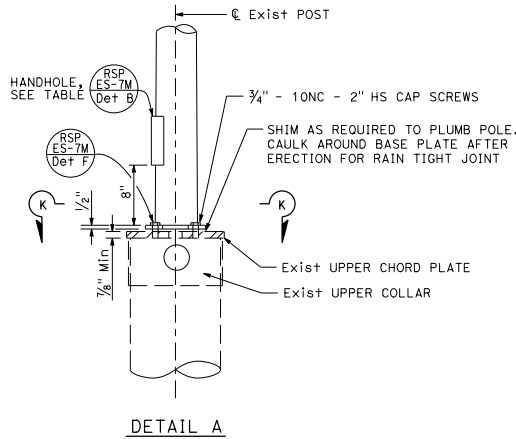
ELEVATION A



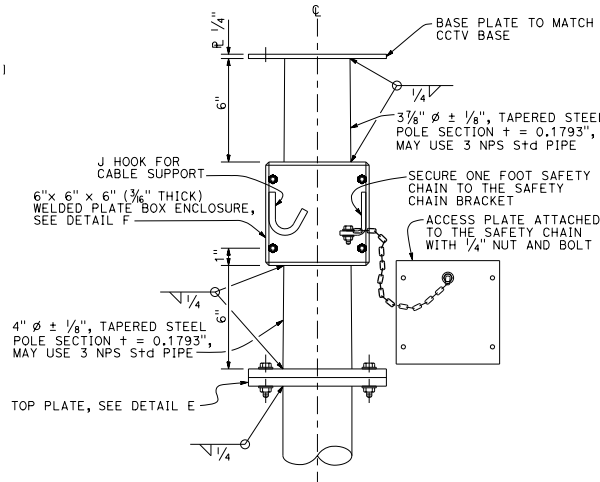
SECTION A-A



SECTION K-K



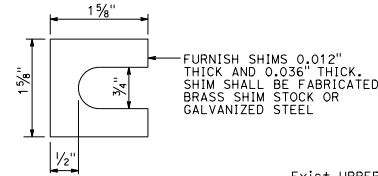
DETAIL A



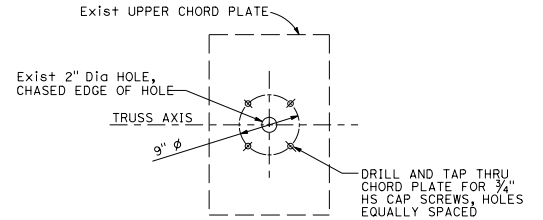
**CLOSED CIRCUIT TELEVISION MOUNTING ADAPTER
DETAIL D**

NOTES:

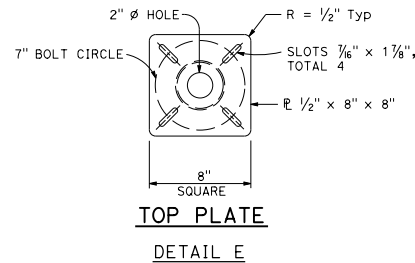
- Verify controlling field dimensions before ordering or fabricating any material.
- Bolt hole locations may vary at the discretion of the Engineer.
- See Std Plan S13.
- Wind Loadings (3-second gust) : 100 mph.
- Unit Stresses (Structural Steel):
 - fy = 55,000 psi (tapered steel tube)
 - fy = 50,000 psi (unless otherwise noted)



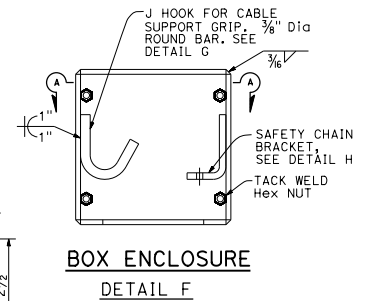
**SHIM
DETAIL B**



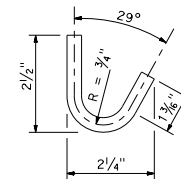
**UPPER CHORD PLATE
DETAIL C
See Note 3**



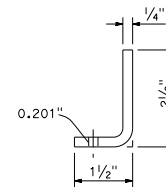
**TOP PLATE
DETAIL E**



**BOX ENCLOSURE
DETAIL F**



**J HOOK
DETAIL G**



**SAFETY CHAIN BRACKET
DETAIL H**

STATE OF CALIFORNIA
DEPARTMENT OF TRANSPORTATION

**ELECTRICAL SYSTEMS
(CLOSED CIRCUIT TELEVISION,
5' TO 15' OVERHEAD SIGN MOUNTED POLE)
NO SCALE**

RSP ES-16A DATED OCTOBER 30, 2015 SUPERSEDES STANDARD PLAN ES-16A DATED MAY 20, 2011 - PAGE 500 OF THE STANDARD PLANS BOOK DATED 2010.

REVISED STANDARD PLAN RSP ES-16A

DIST	COUNTY	ROUTE	POST MILES TOTAL PROJECT	SHEET No.	TOTAL SHEETS

REGISTERED CIVIL ENGINEER
 October 30, 2015
 PLANS APPROVAL DATE
 THE STATE OF CALIFORNIA OR ITS OFFICERS OR AGENTS SHALL NOT BE RESPONSIBLE FOR THE ACCURACY OR COMPLETENESS OF SCANNED COPIES OF THIS PLAN SHEET.

TO ACCOMPANY PLANS DATED _____