


POLE TYPE	POLE DATA				BASE PLATE DATA				CIDH PILE DATA			
	HEIGHT "h"	Min OD		Min THICKNESS	Dia	THICKNESS	ANCHOR BOLT SIZE		BC = BOLT CIRCLE	"D"	"L"	PILE Reinf
		BASE	TOP				TOTAL	"d"				
HM CCTV 50	50'	18"	9 3/4"	0.3125" *	28"	3"	12	1 1/2"	23"	3'-6"	12'	13 - #7
HM CCTV 60	60'	20"	10 1/4"		30"				25"	4'-0"	13'	
HM CCTV 70	70'	22"	10 5/8"		33"				27"	14'		
HM CCTV 80	80'	24"	11 1/8"	0.375" *	35"			29"				
HM CCTV 90	90'											

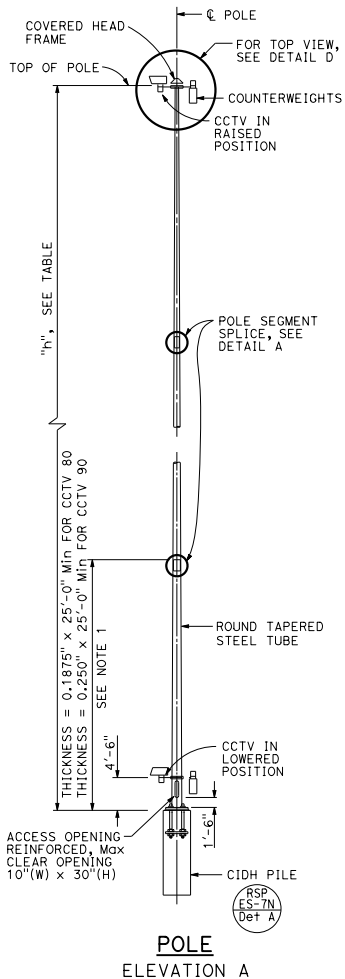
\* LOWER POLE SEGMENT THICKNESS, SEE POLE DETAILS

D16+	COUNTY	ROUTE	POST MILES TOTAL PROJECT	SHEET No.	TOTAL SHEETS

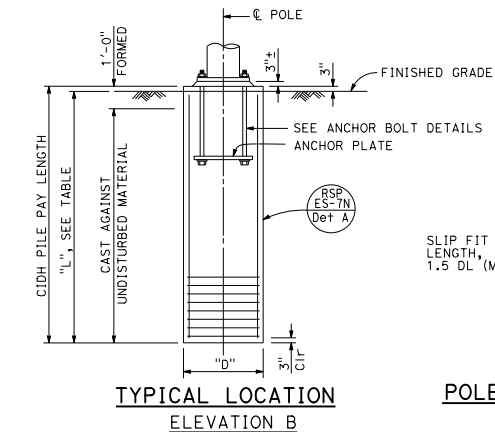

  
 REGISTERED CIVIL ENGINEER  
 Stanley P. Johnson  
 No. CS7393  
 Exp. 3-31-16  
 CIVIL  
 STATE OF CALIFORNIA

October 30, 2015  
 PLANS APPROVAL DATE  
 THE STATE OF CALIFORNIA OR ITS OFFICERS OR AGENTS SHALL NOT BE RESPONSIBLE FOR THE ACCURACY OR COMPLETENESS OF SCANNED COPIES OF THIS PLAN SHEET.

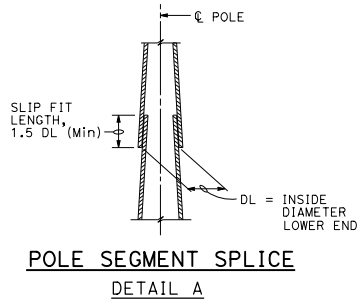
TO ACCOMPANY PLANS DATED \_\_\_\_\_



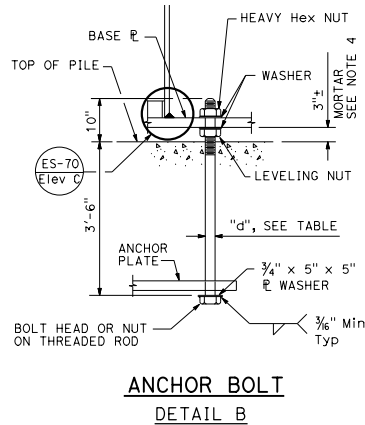
**POLE**  
**ELEVATION A**



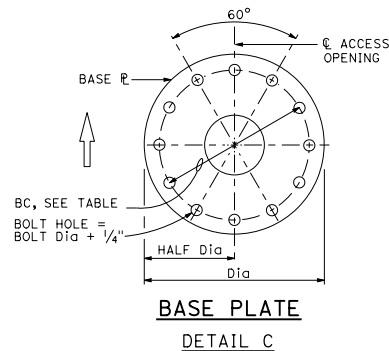
**TYPICAL LOCATION**  
**ELEVATION B**



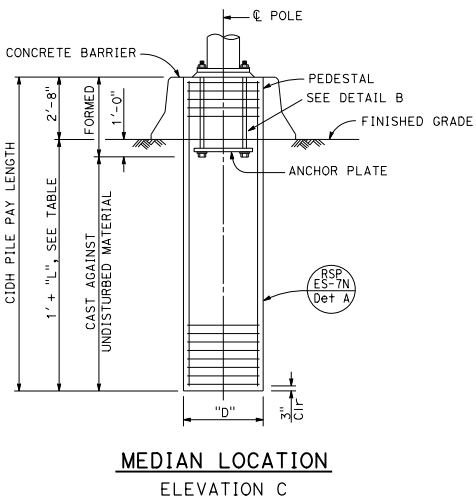
**POLE SEGMENT SPLICE**  
**DETAIL A**



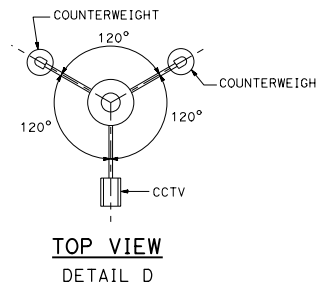
**ANCHOR BOLT**  
**DETAIL B**



**BASE PLATE**  
**DETAIL C**



**MEDIAN LOCATION**  
**ELEVATION C**



**TOP VIEW**  
**DETAIL D**

**NOTES:**

- Pole details shall suit the lowering device and this foundation plan. Pole details shall be submitted to the Engineer for approval.
- For closed circuit television details, see Electrical Plans.
- Foundation design is based on a maximum wind velocity of 80 mph.
- For central void and drain holes in mortar, see Standard Plan ES-6B detail N.
- Wind Loadings (fastest mile): 80 mph
- Unit Stress (Structural Steel):  
fy = 55,000 psi (tapered steel tube)  
fy = 50,000 psi (unless otherwise noted)
- Access opening shall be located on the downstream side of traffic unless otherwise determined by the Engineer.

STATE OF CALIFORNIA  
DEPARTMENT OF TRANSPORTATION

**ELECTRICAL SYSTEMS**  
**(CLOSED CIRCUIT TELEVISION,**  
**50' TO 90' HIGH MAST POLE)**

NO SCALE

RSP ES-16C DATED OCTOBER 30, 2015 SUPERSEDES STANDARD PLAN ES-16C DATED MAY 20, 2011 - PAGE 502 OF THE STANDARD PLANS BOOK DATED 2010.

**REVISED STANDARD PLAN RSP ES-16C**

2010 REVISED STANDARD PLAN RSP ES-16C