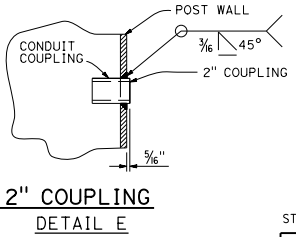
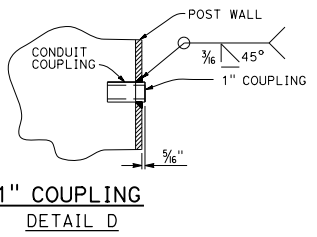
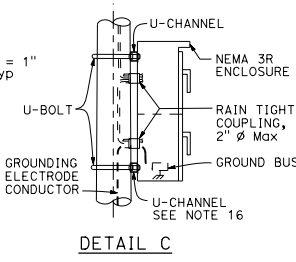
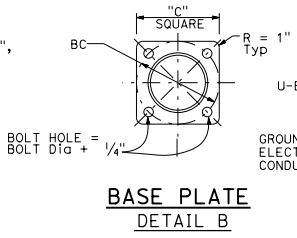
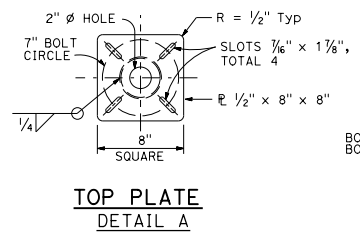
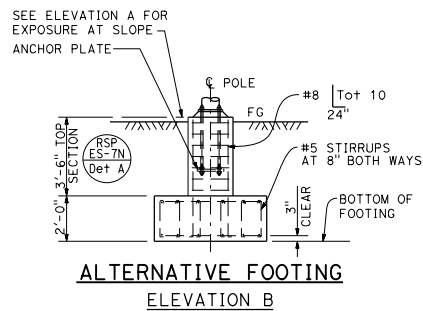


POLE TYPE	POLE DATA			BASE PLATE DATA			"D" 2'-6" $\phi$ CIDH Pile	
	HEIGHT "H"	Min OD	THICKNESS	"C"	THICKNESS	ANCHOR BOLTS SIZE	BC = BOLT CIRCLE	LEVEL GROUND UP TO 2:1
VDS 30	30'	8"	3 7/8"	0.1793"	1 1/2"	1 1/2" $\phi$ x 3'-0"	1'-1 1/2"	11'-0"
VDS 35	35'	8 5/8"						1'-2"
VDS 40	40'	9 3/8"	1'-3"	14'-0"				

POLE TYPE	COUPLING	
	E1(Max)	E2(Max)
VDS 30		
VDS 35	3'-6"	4'-9"
VDS 40		

SPREAD FOOTING		
GROUND LEVEL	FOOTING SIZE (LENGTH x WIDTH x DEPTH)	REINFORCEMENT TOP & BOTTOM
UP TO 2:1	10'-0" x 10'-0" x 2'-0"	15 - #5 EW

LOCATION	MAXIMUM TOTAL EPA PER LEVEL (SQ. FEET)	MAXIMUM TOTAL WEIGHT (lb)
LEVEL #1	14	200
LEVEL #2		
LEVEL #3		
LEVEL #4 (VDS 35 AND VDS 40 ONLY)	2.5	50
LEVEL #5 (VDS 40 ONLY)		
NEXT TO TOP LEVEL		
ON TOP PLATE LEVEL **		



DIST	COUNTY	ROUTE	POST MILES TOTAL PROJECT	SHEET NO.	TOTAL SHEETS

Stanley P. Johnson  
REGISTERED CIVIL ENGINEER

October 30, 2015  
PLANS APPROVAL DATE

Stanley P. Johnson  
No. C57393  
Exp. 3-31-16  
CIVIL

REGISTERED PROFESSIONAL ENGINEER  
STATE OF CALIFORNIA

THE STATE OF CALIFORNIA OR ITS OFFICERS OR AGENTS SHALL NOT BE RESPONSIBLE FOR THE ACCURACY OR COMPLETENESS OF SCANNED COPIES OF THIS PLAN SHEET.

- NOTES:
- All steel shall be galvanized after fabrication.
  - The foundation shall be treated as level ground condition if the slope inclination is flatter than 4 : 1 (Horizontal : Vertical)
  - For devices mounted and mounting heights, see Table B.
  - Design Specification: AASHTO Standard Specification for structural support for highway signs, luminaires and traffic signal dated 2001.
  - Wind Loadings: 100 mph (3-second gust)
  - Unit Stresses (Structural Steel):  
a. fy = 55,000 psi (tapered steel tube)  
b. fy = 50,000 psi (unless otherwise noted)
  - Anchor bolts: fy = 55,000 psi
  - Unit Stresses (Reinforced Concrete):  
a. f'c = 3,600 psi  
b. fy = 60,000 psi
  - Verify all controlling field dimensions before ordering of fabricating any material.
  - When no barriers are used, the NEMA 3R enclosure shall be located on the downstream side and perpendicular to the roadway.
  - 1'-3" (Max) for sloped finished grade.
  - Bottom of base plate.
  - Handhole. RSP ES-7M Det B, RSP ES-7M Det A
  - Top plate. Install a blank flange on the top plate when closed circuit television is not used.
  - ES-7O Elev B
  - U-channel with bracket.
  - Use the manufacturer's Effective Projected Area (EPA) for attachments. Assign attachments to nearest level and sum each level, see Table D for limitations.

STATE OF CALIFORNIA  
DEPARTMENT OF TRANSPORTATION

**ELECTRICAL SYSTEMS  
(CLOSED CIRCUIT TELEVISION WITH  
VEHICLE DETECTION SYSTEM,  
30' TO 40' POLE)**

NO SCALE

RSP ES-16D DATED OCTOBER 30, 2015 SUPERSEDES RSP ES-16D DATED JULY 19, 2013 AND STANDARD PLAN ES-16D DATED MAY 20, 2011 - PAGE 503 OF THE STANDARD PLANS BOOK DATED 2010.

**REVISED STANDARD PLAN RSP ES-16D**

2010 REVISED STANDARD PLAN RSP ES-16D