
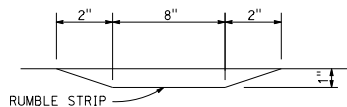
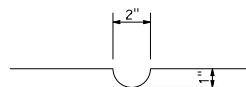


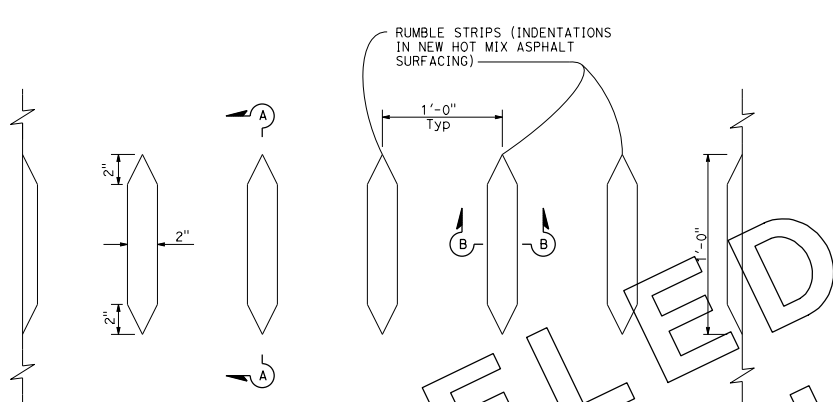
Dist	COUNTY	ROUTE	POST MILES TOTAL PROJECT	SHEET No.	TOTAL SHEETS
					
May 20, 2011 PLANS APPROVAL DATE					
<small>THE STATE OF CALIFORNIA OR ITS OFFICERS OR AGENTS SHALL NOT BE RESPONSIBLE FOR THE ACCURACY OR COMPLETENESS OF SCANNED COPIES OF THIS PLAN SHEET.</small>					



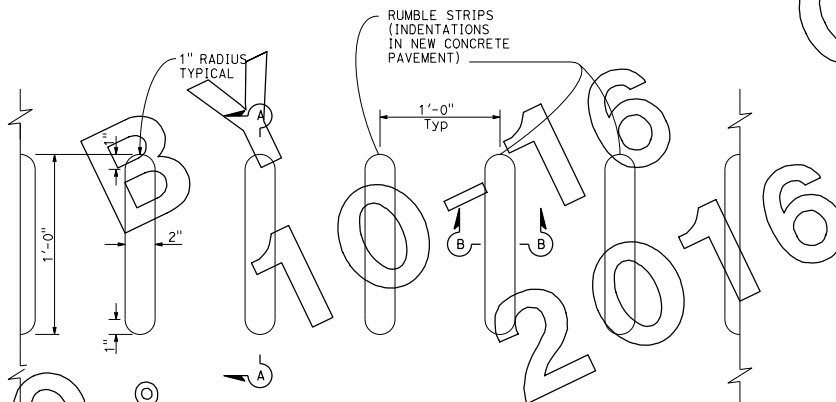
SECTION A-A



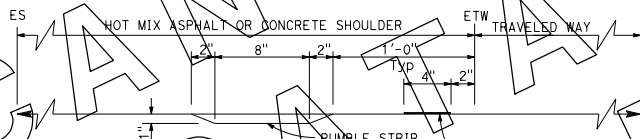
SECTION B-B



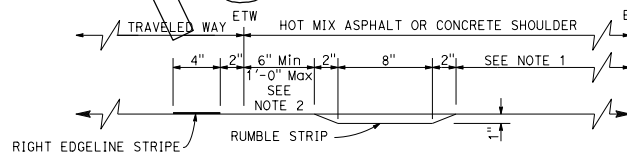
PLAN
HOT MIX ASPHALT SURFACING
ROLLED-IN INDENTATIONS
DETAIL A



PLAN
CONCRETE PAVEMENT
ROLLED-IN INDENTATIONS
DETAIL B



RUMBLE STRIP PLACEMENT
LEFT OF DIRECTION OF TRAVEL



RUMBLE STRIP PLACEMENT
RIGHT OF DIRECTION OF TRAVEL

TYPICAL ROLLED-IN RUMBLE STRIP
SHOULDER PLACEMENT

NOTES:

- Where bicycles are permitted, shoulder rumble strips should not be used right of direction of travel unless a minimum of 5'-0" of clear shoulder width for bicycle use is available between the rumble strip and the outer edge of the shoulder. Where bicycles are not permitted, a minimum of 4'-0" of distance is required between the rumble strip and the outer edge of the shoulder.
- Unless otherwise shown on the plans or specified in the special provisions, the 6" offset from the edge of traveled way to the edge of the rumble strip shall be used for rumble strip placement right of the direction of travel.

STATE OF CALIFORNIA
DEPARTMENT OF TRANSPORTATION
**SHOULDER RUMBLE STRIP
DETAILS
ROLLED-IN INDENTATIONS**

NO SCALE

A40A