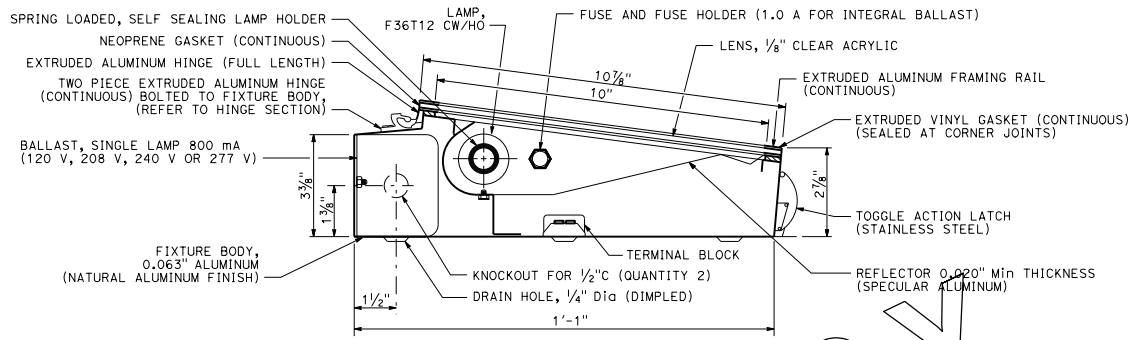


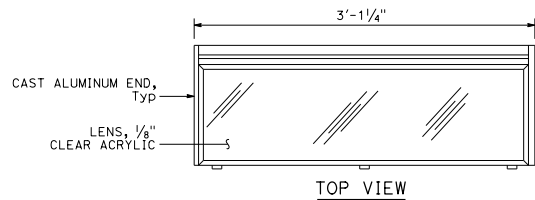
DIST	COUNTY	ROUTE	POST MILES TOTAL PROJECT	SHEET NO.	TOTAL SHEETS

William J. McFar
 REGISTERED ELECTRICAL ENGINEER
 May 20, 2011
 PLANS APPROVAL DATE
 THE STATE OF CALIFORNIA OR ITS OFFICERS OR AGENTS SHALL NOT BE RESPONSIBLE FOR THE ACCURACY OR COMPLETENESS OF SCANNED COPIES OF THIS PLAN SHEET.

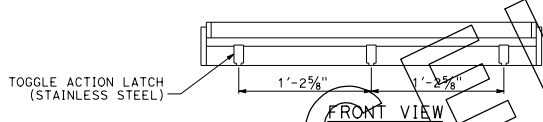
REGISTERED PROFESSIONAL ENGINEER
 Jeffrey G. McRae
 No. 14512
 Exp. 6-30-12
 ELECTRICAL
 STATE OF CALIFORNIA



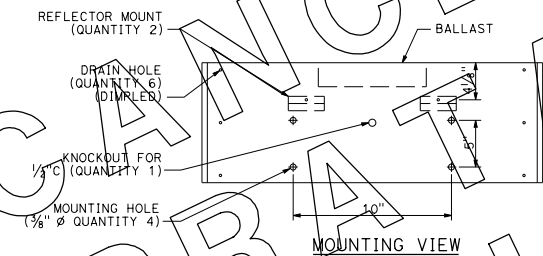
SECTION-LIGHTING FIXTURE



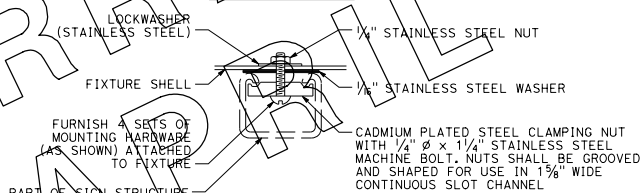
TOP VIEW



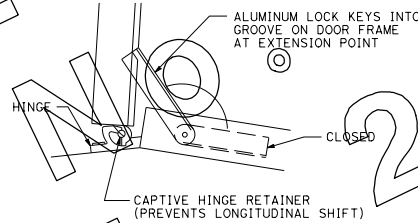
FRONT VIEW



MOUNTING VIEW



**FIXTURE MOUNTING
ON CONTINUOUS SLOT CHANNEL
DETAIL M**



HINGE SECTION

SIGN LOAD (WATTS) AND FUSING	
1 LAMP AND BALLAST - 75 W	1 A
2 LAMPS AND BALLAST - 150 W	2.5 A
3 LAMPS AND BALLAST - 225 W	3 A

NOTES:

1. Conduit shall be secured to nearest member using one-hole galvanized malleable iron or steel straps at 5'-0" maximum centers and brass machine screws tapped into the member.
2. Ballasts and terminal boards shall be marked with legible symbols. Conductors shall be tagged and their identification marked on the corresponding terminal on the terminal board as shown on the typical fixture wiring diagram. An alternative cover design shall be submitted for approval.
3. Ballast shall be one, two or three lamp types as required, rated at 800 mA.
4. Each ballast shall be fused with 1/4" x 1/4" slow-blow glass tube fuse.
5. Fuseholder shall be a panel mounted type.
6. The fixture shall have an integral ballast.

STATE OF CALIFORNIA
DEPARTMENT OF TRANSPORTATION
**ELECTRICAL SYSTEMS
(36" FLUORESCENT SIGN
ILLUMINATION EQUIPMENT)**

NO SCALE

ES-15B