

Dist	COUNTY	ROUTE	POST MILES TOTAL PROJECT	SHEET No.	TOTAL SHEETS
------	--------	-------	-----------------------------	--------------	-----------------

Theresa Gabriel
REGISTERED ELECTRICAL ENGINEER

April 15, 2016
PLANS APPROVAL DATE

Theresa
Aziz Gabriel
No. E15129
Exp. 6-30-16
ELECTRICAL
REGISTERED PROFESSIONAL ENGINEER
STATE OF CALIFORNIA

THE STATE OF CALIFORNIA OR ITS OFFICERS OR AGENTS SHALL NOT BE RESPONSIBLE FOR THE ACCURACY OR COMPLETENESS OF SCANNED COPIES OF THIS PLAN SHEET.

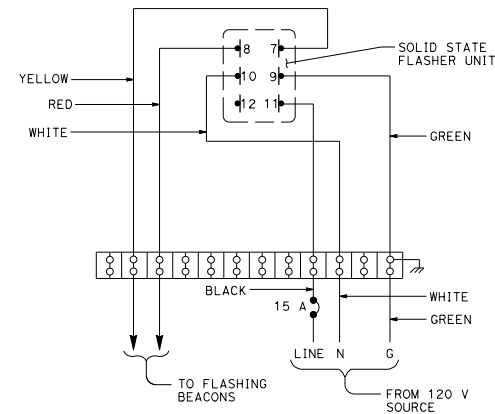
TO ACCOMPANY PLANS DATED _____

THE FLASHER SHALL MATE WITH A CINCH-JONES SOCKET S-406-SB OR EQUAL AND CONNECTED AS FOLLOWS:

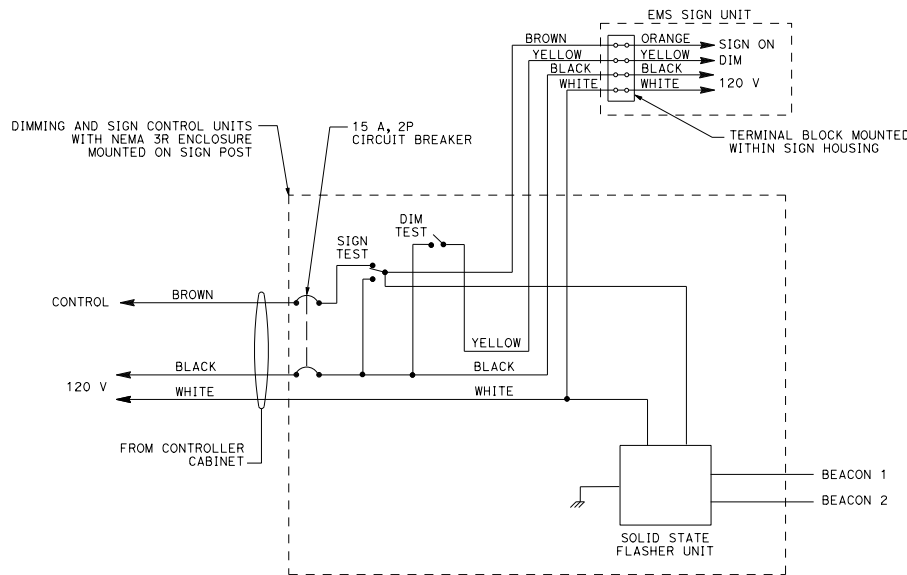
PIN	CIRCUIT	PIN	CIRCUIT
7	LOAD	10	NEUTRAL
8	LOAD	11	LINE
9	CHASSIS GROUND	12	NOT USED



**CONNECTOR SOCKET
SOLID STATE FLASHER UNIT**



**WIRING DIAGRAM
FLASHING BEACON CONTROL ASSEMBLY
DETAIL B**



**WIRING DIAGRAM
LED EXTINGUISHABLE MESSAGE SIGN
DETAIL A**

STATE OF CALIFORNIA
DEPARTMENT OF TRANSPORTATION

**ELECTRICAL SYSTEMS
(CONTROL ASSEMBLY
WIRING DIAGRAMS)**

NO SCALE

RSP ES-14B DATED APRIL 15, 2016 SUPERSEDES STANDARD PLAN ES-14B DATED
MAY 20, 2011 - PAGE 494 OF THE STANDARD PLANS BOOK DATED 2010.

REVISED STANDARD PLAN RSP ES-14B

2010 REVISED STANDARD PLAN RSP ES-14B