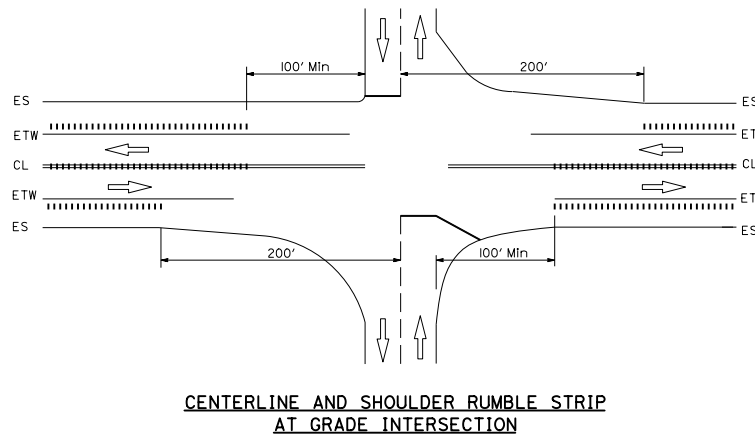
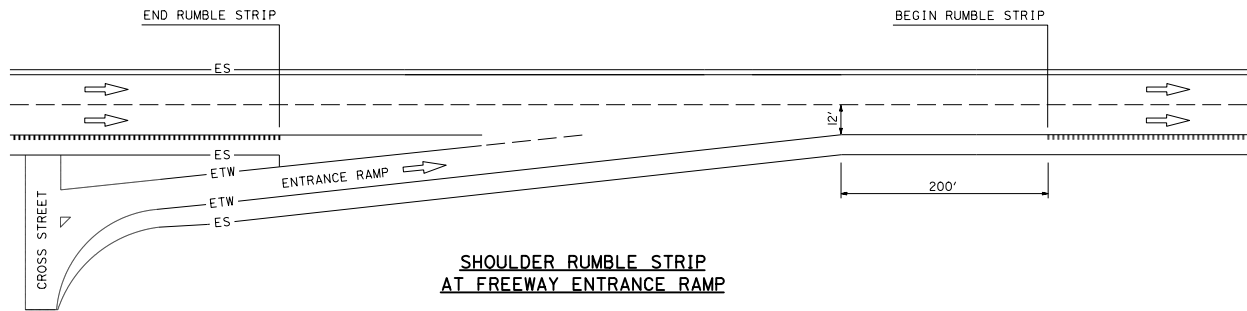
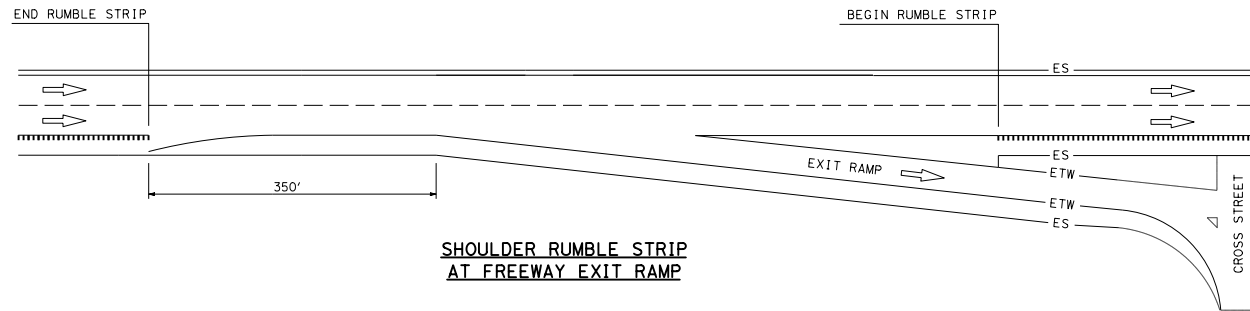


Dist	County	Route	Post Miles Total Project	Sheet No.	Total Sheets
<i>Atifa Ferouz</i> REGISTERED CIVIL ENGINEER					
July 15, 2016 PLANS APPROVAL DATE					
THE STATE OF CALIFORNIA OR ITS OFFICERS OR AGENTS SHALL NOT BE RESPONSIBLE FOR THE ACCURACY OR COMPLETENESS OF SCANNED COPIES OF THIS PLAN SHEET.					



TO ACCOMPANY PLANS DATED _____



LEGEND

..... RUMBLE STRIP (GROUND-IN)

STATE OF CALIFORNIA
DEPARTMENT OF TRANSPORTATION

**RUMBLE STRIP PLACEMENT AT
FREEWAY EXIT RAMP,
FREEWAY ENTRANCE RAMP, AND
INTERSECTIONS**

NO SCALE

RSP A40E DATED JULY 15, 2016 SUPPLEMENTS THE STANDARD PLANS BOOK DATED 2010.

REVISED STANDARD PLAN RSP A40E

2010 REVISED STANDARD PLAN RSP A40E