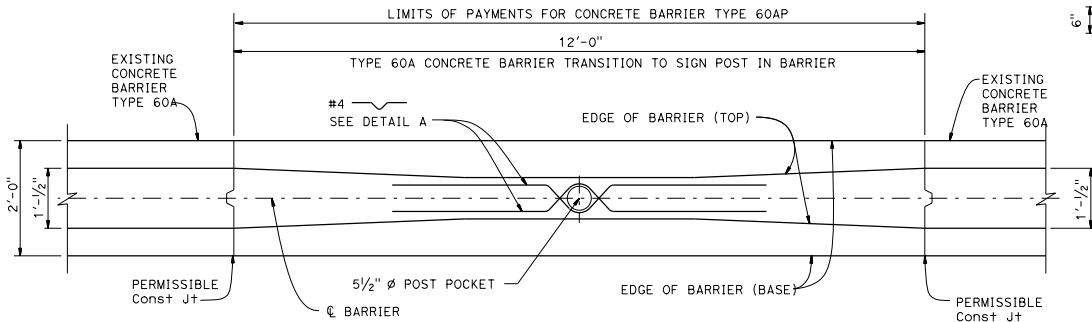


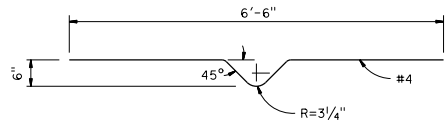
DIST	COUNTY	ROUTE	POST MILES TOTAL PROJECT	SHEET NO.	TOTAL SHEETS

*Stanley P. Johnson*  
 REGISTERED CIVIL ENGINEER  
 No. C87393  
 Exp. 3-31-18  
 CIVIL  
 STATE OF CALIFORNIA

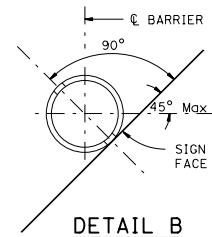
July 15, 2016  
 PLANS APPROVAL DATE  
 THE STATE OF CALIFORNIA OR ITS OFFICERS OR AGENTS SHALL NOT BE RESPONSIBLE FOR THE ACCURACY OR COMPLETENESS OF SCANNED COPIES OF THIS PLAN SHEET.



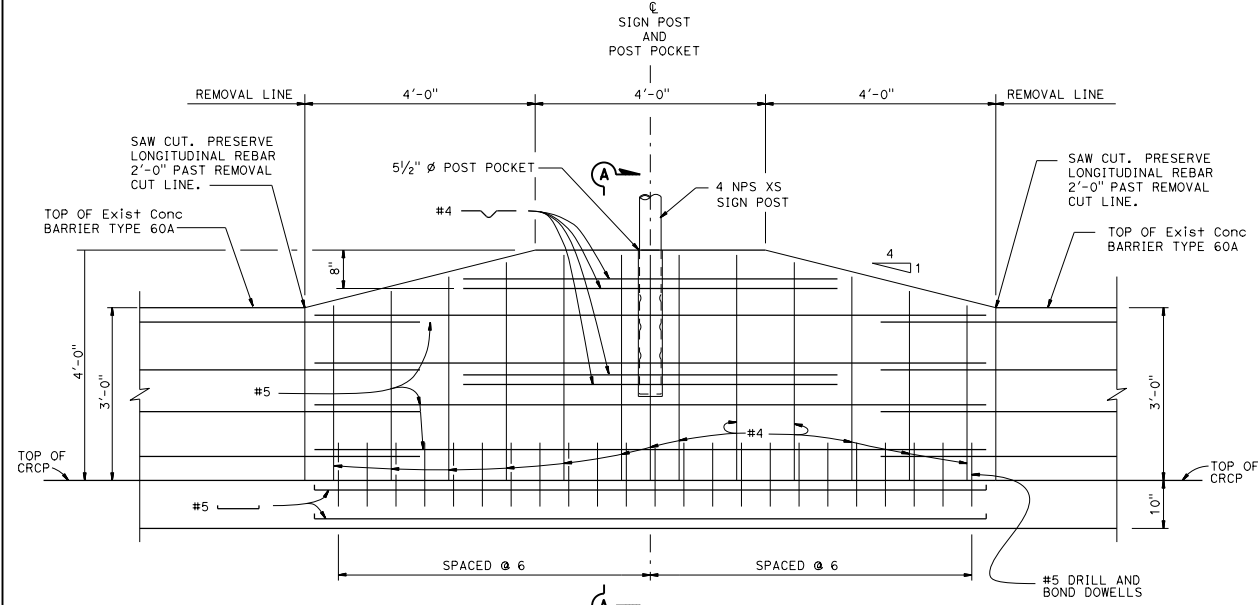
PLAN



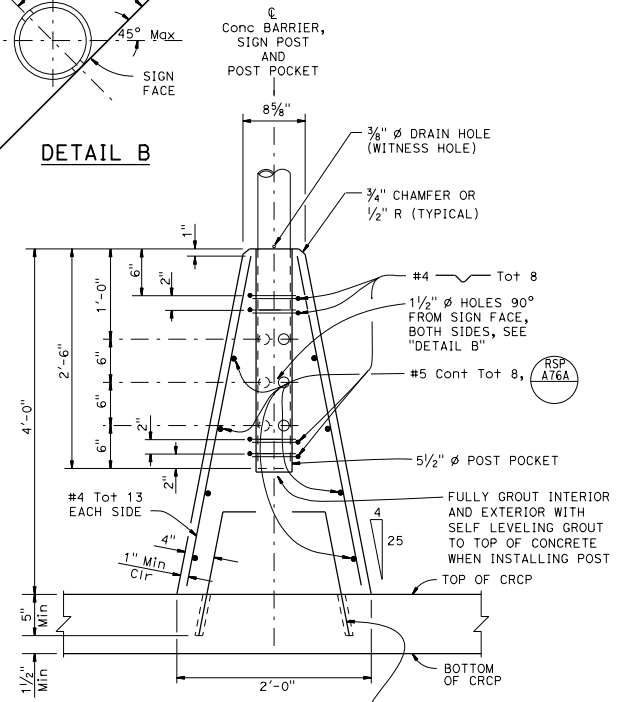
DETAIL A



DETAIL B



ELEVATION



SECTION A-A

STATE OF CALIFORNIA  
DEPARTMENT OF TRANSPORTATION

**CONCRETE BARRIER TYPE 60AP**

NO SCALE

RSP A76BC DATED JULY 15, 2016 SUPPLEMENTS THE STANDARD PLANS BOOK DATED 2010.

**REVISED STANDARD PLAN RSP A76BC**

2010 REVISED STANDARD PLAN RSP A76BC