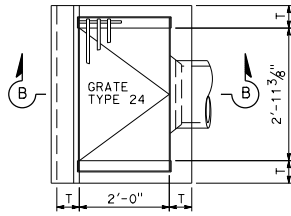
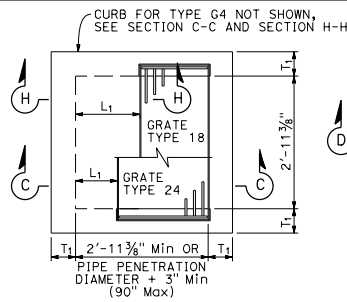


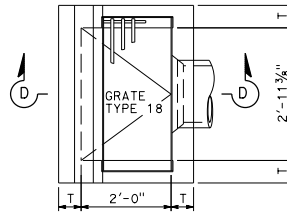
PLAN
TYPE G1



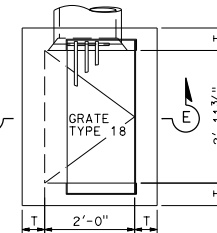
PLAN
TYPE G3



PLAN
STANDARD
TYPE G2 OR G4



PLAN
TYPE G5



PLAN
TYPE G6

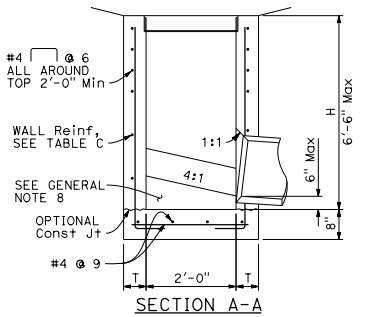
DIST	COUNTY	ROUTE	POST MILES TOTAL PROJECT	SHEET NO.	TOTAL SHEETS

July 15, 2016
 PLANS APPROVAL DATE
 THE STATE OF CALIFORNIA OR ITS OFFICERS OR AGENTS SHALL NOT BE RESPONSIBLE FOR THE ACCURACY OR COMPLETENESS OF SCANNED COPIES OF THIS PLAN SHEET.

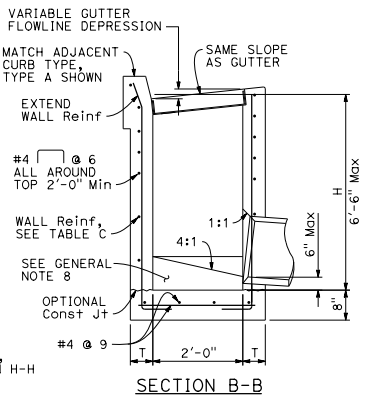
TO ACCOMPANY PLANS DATED _____

NOTE:
1. For notes and Table 2, See Revised Standard Plan RSP D72C.

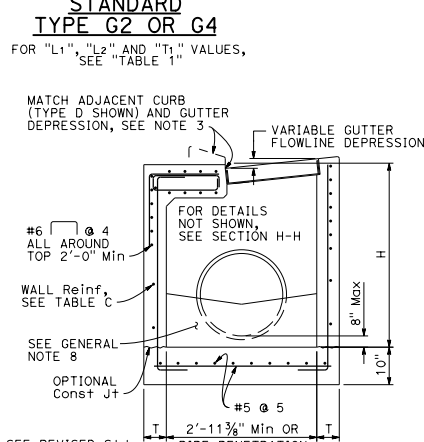
	T ₁	Vert BARS
L ₁ AND L ₂ < 2'-10"	9"	#4 @ 12
L ₁ OR L ₂ > 2'-10"	12"	#5 @ 12



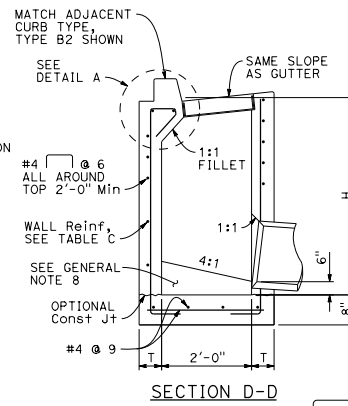
SECTION A-A



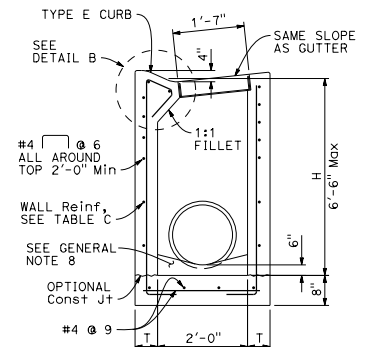
SECTION B-B



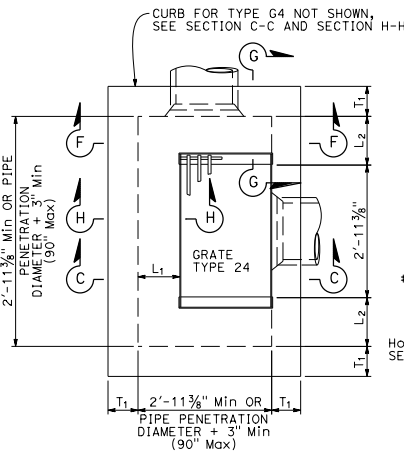
SECTION C-C



SECTION D-D

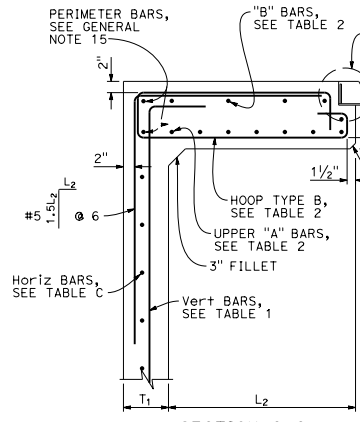


SECTION E-E

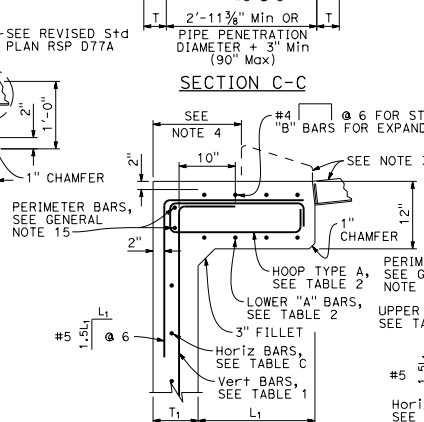


PLAN
EXPANDED
TYPE G2 OR G4

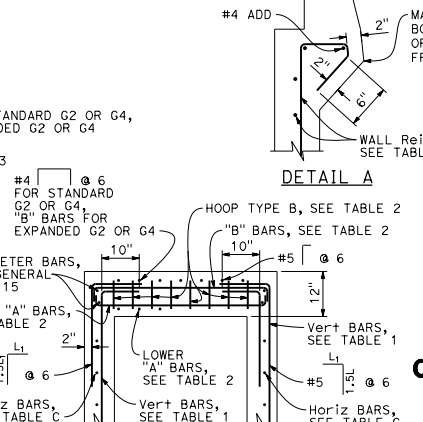
(INTEGRAL TOP ALTERNATIVE)
FOR "L₁" AND "T₁" VALUES, SEE TABLE 1



SECTION G-G



SECTION H-H



SECTION F-F

DETAIL A

DETAIL B

STATE OF CALIFORNIA
DEPARTMENT OF TRANSPORTATION

**CIP DRAINAGE INLETS
TYPES G1, G2, G3,
G4, G5 AND G6**

NO SCALE

REVISED STANDARD PLAN RSP D72B

2010 REVISED STANDARD PLAN RSP D72B