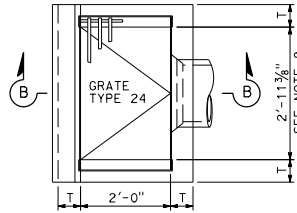
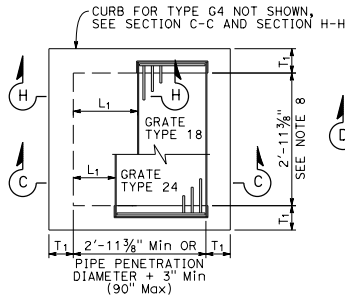


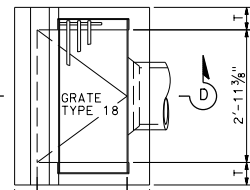
PLAN  
TYPE G1



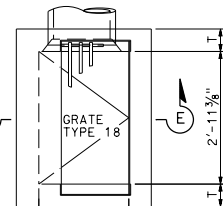
PLAN  
TYPE G3



PLAN  
STANDARD TYPE G2 OR G4  
(INTEGRAL TOP ALTERNATIVE)  
FOR "L1" AND "T1" VALUES, SEE TABLE 1



PLAN  
TYPE G5



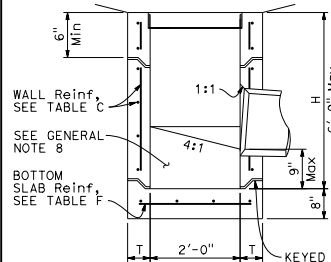
PLAN  
TYPE G6

DIST	COUNTY	ROUTE	POST MILES TOTAL PROJECT	SHEET NO.	TOTAL SHEETS

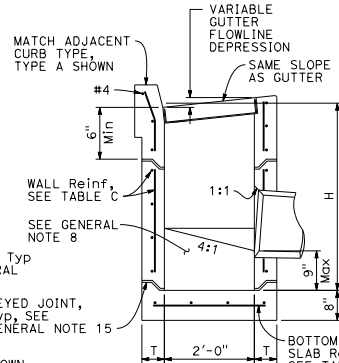
July 15, 2016  
 PLANS APPROVAL DATE  
 THE STATE OF CALIFORNIA OR ITS OFFICERS OR AGENTS SHALL NOT BE RESPONSIBLE FOR THE ACCURACY OR COMPLETENESS OF SCANNED COPIES OF THIS PLAN SHEET.

TO ACCOMPANY PLANS DATED \_\_\_\_\_  
NOTE:  
1. For notes and Table 2, See Revised Standard Plan RSP D73C.

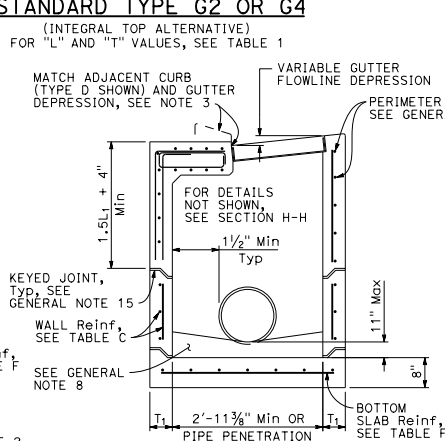
	T1	Vert BARS
L1 AND L2 < 2'-10"	8"	#4 @ 12
L1 OR L2 > 2'-10"	12"	#5 @ 12



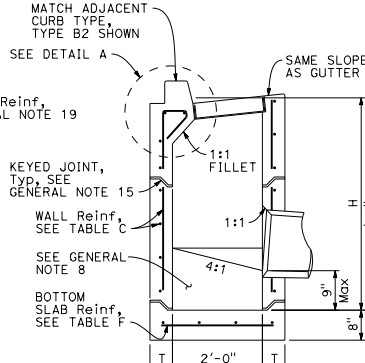
SECTION A-A



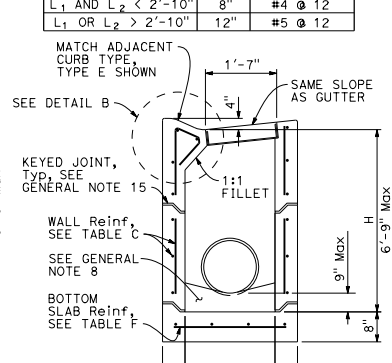
SECTION B-B



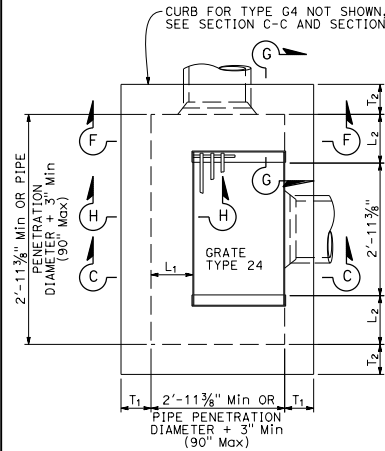
SECTION C-C  
FOR "L1", "L2" AND "T1" VALUES, SEE "TABLE 1"



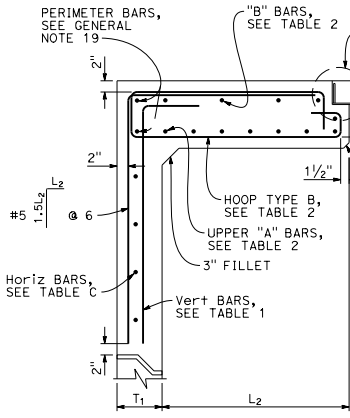
SECTION D-D



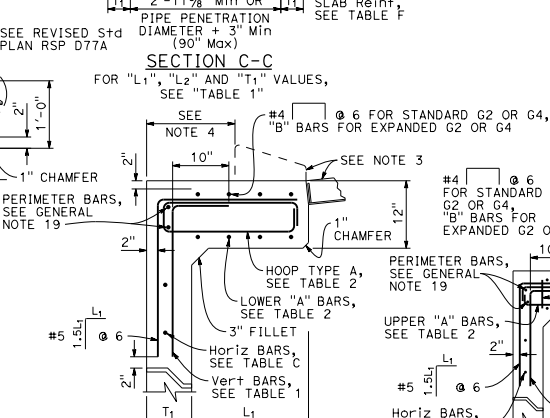
SECTION E-E



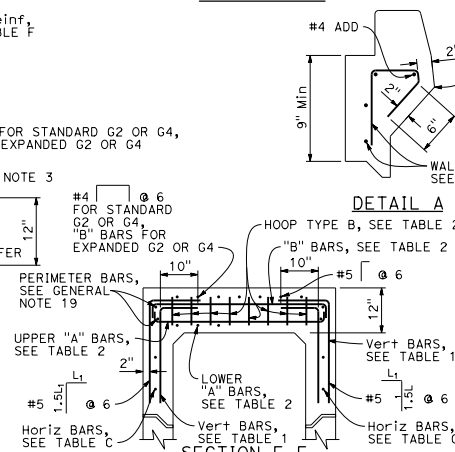
PLAN  
EXPANDED  
TYPE G2 OR G4  
(INTEGRAL TOP ALTERNATIVE)  
FOR "L1", "L2" AND "T1" VALUES, SEE "TABLE 1"



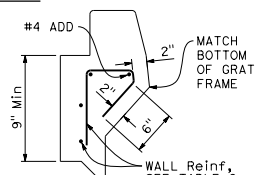
SECTION G-G  
FOR "L1", "L2" AND "T1" VALUES, SEE "TABLE 1"



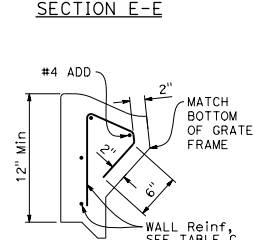
SECTION H-H  
FOR "L1", "L2" AND "T1" VALUES, SEE "TABLE 1"



SECTION F-F  
FOR "L1", "L2" AND "T1" VALUES, SEE "TABLE 1"



DETAIL A



DETAIL B

STATE OF CALIFORNIA  
DEPARTMENT OF TRANSPORTATION  
**PRECAST  
DRAINAGE INLETS  
TYPES G1, G2, G3,  
G4, G5 AND G6**  
NO SCALE

REVISED STANDARD PLAN RSP D73B  
RSP D73B DATED JULY 15, 2016 SUPPLEMENTS THE STANDARD PLANS BOOK DATED 2010.

2010 REVISED STANDARD PLAN RSP D73B