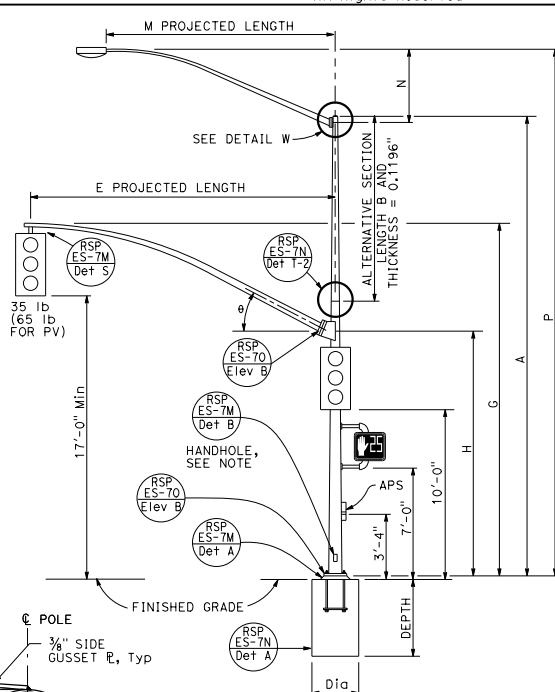
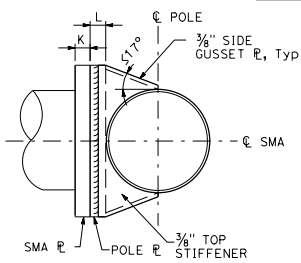


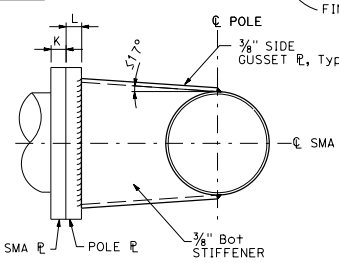
TYPE 16-1-100, 18-1-100  
ELEVATION A



TYPE 19-1-100, 19A-1-100  
ELEVATION B



SECTION B-B



SECTION C-C

SIGNAL MAST ARM DATA										
E PROJECTED LENGTH	G MOUNTING HEIGHT	H	Min OD AT POLE	THICKNESS	I BOLT CIRCLE	HS CAP SCREWS	J PLATE SIZE	K MAST ARM R THICKNESS	L POLE R THICKNESS	θ
15'-0"	21'-8"±	17'-6"	7 3/8"	0.1793"	12"	1 1/4"-7NC-3"	1'-1"	1/4"	1/2"	23°
20'-0"	22'-8"±	16'-0"	8"							
25'-0"	22'-8"±	16'-0"	9"							
30'-0"	23'-0"±	16'-0"	10"							

LUMINAIRE MAST ARM DATA					
M PROJECTED LENGTH	N RISE	Min OD AT POLE	THICKNESS	P MOUNTING HEIGHT	
				30'-0" POLE	35'-0" POLE
6'-0"	2'-0"±	3 1/4"	0.1196"	31'-6"±	36'-6"±
8'-0"	2'-6"±	3 1/2"		32'-0"±	37'-0"±
10'-0"	3'-3"±	3 3/8"		32'-9"±	37'-9"±
12'-0"	4'-3"±	3 3/8"		33'-9"±	38'-9"±
15'-0"	4'-9"±	4 1/4"		34'-3"±	39'-3"±

POLE TYPE	LOAD CASE	WIND VELOCITY (mph)	POLE DATA				BASE PLATE DATA				LUMINAIRE MAST ARM	SIGNAL MAST ARM	CIDH PILE FOUNDATION						
			A HEIGHT	Min OD		THICKNESS	ALTERNATIVE SECTION		C	BC = BOLT CIRCLE			THICKNESS	ANCHOR BOLT SIZE	Dia	DEPTH			
				BASE	TOP		B LENGTH	BOTTOM									TOP		
16-1-100	1	100	18'-6"	12"	9 3/8"	0.2391"	None			1'-6"	1'-4"	1 3/4" ø x 42"	NONE	15'-0", [20'-0"]	3'-0"	9'-0"			
18-1-100			17'-0"	9 3/4"	None									NONE					
19-1-100			30'-0"	14"	9 3/4"		10'-0"	9 3/4"	11 1/8"	9 3/4"	1'-10"		1'-8"	2 1/2"	2" ø x 42"	6'-15" [12'-0"]	25'-0", [30'-0"]	3'-6"	10'-0"
19A-1-100			35'-0"	14"	9"		15'-0"	11 1/8"	9"							6'-15" [15'-0"]			

□ INDICATES MAST ARM LENGTH TO BE USED UNLESS OTHERWISE NOTED ON PLANS.

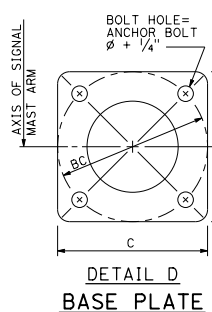
NOTE:  
Handhole shall be located on the downstream side of traffic.

DIST	COUNTY	ROUTE	POST MILES TOTAL PROJECT	SHEET NO.	TOTAL SHEETS

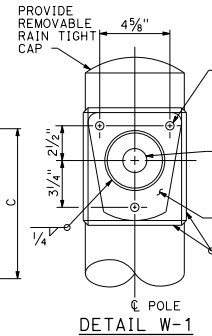
REGISTERED CIVIL ENGINEER  
Stanley P. Johnson  
No. C6798  
Exp. 3-31-18  
CIVIL  
STATE OF CALIFORNIA

PLANS APPROVAL DATE  
July 15, 2016

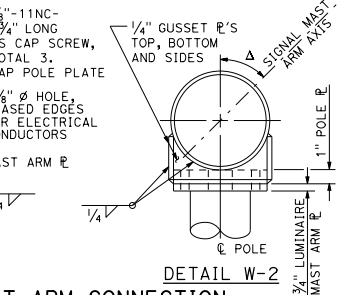
THE STATE OF CALIFORNIA OR ITS OFFICERS OR AGENTS SHALL NOT BE RESPONSIBLE FOR THE ACCURACY OR COMPLETENESS OF SCANNED COPIES OF THIS PLAN SHEET.



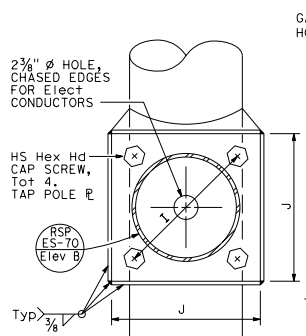
DETAIL D  
BASE PLATE



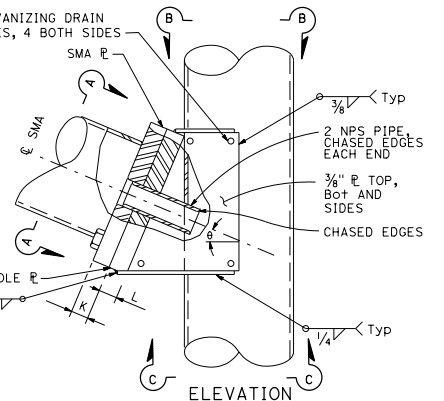
DETAIL W-1  
LUMINAIRE MAST ARM CONNECTION



DETAIL W-2  
SIGNAL MAST ARM CONNECTION



SECTION A-A



ELEVATION

DETAIL A  
SIGNAL MAST ARM CONNECTION

STATE OF CALIFORNIA  
DEPARTMENT OF TRANSPORTATION

**ELECTRICAL SYSTEMS (SIGNAL AND LIGHTING STANDARD, CASE 1 SIGNAL MAST ARM LOADING, WIND VELOCITY = 100 MPH AND SIGNAL MAST ARM LENGTHS 15' TO 30')**

NO SCALE  
RSP ES-7C DATED JULY 15, 2016 SUPERSEDES RSP ES-7C DATED OCTOBER 30, 2015 AND RSP ES-7C DATED JULY 19, 2013 AND STANDARD PLAN ES-7C DATED MAY 20, 2011 - PAGE 464 OF THE STANDARD PLANS BOOK DATED 2010.

**REVISED STANDARD PLAN RSP ES-7C**

2010 REVISED STANDARD PLAN RSP ES-7C