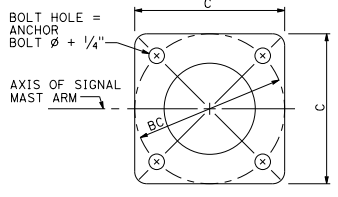
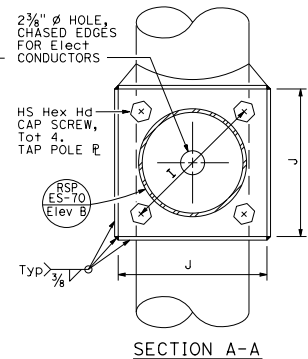


TYPE 16-2-100, 18-2-100

ELEVATION A



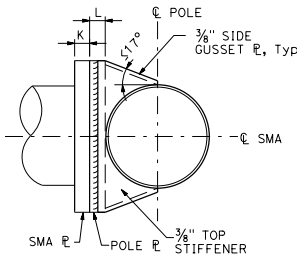
BASE PLATE
DETAIL B



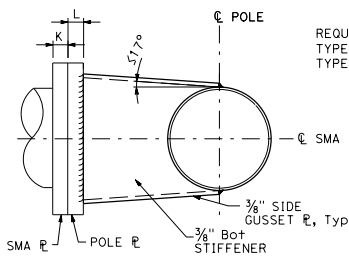
SECTION A-A

SIGNAL MAST ARM CONNECTION

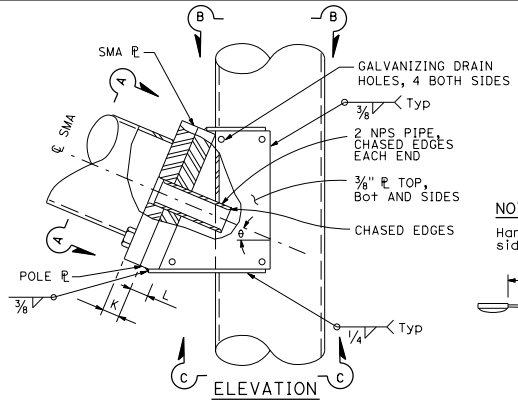
DETAIL A



SECTION B-B

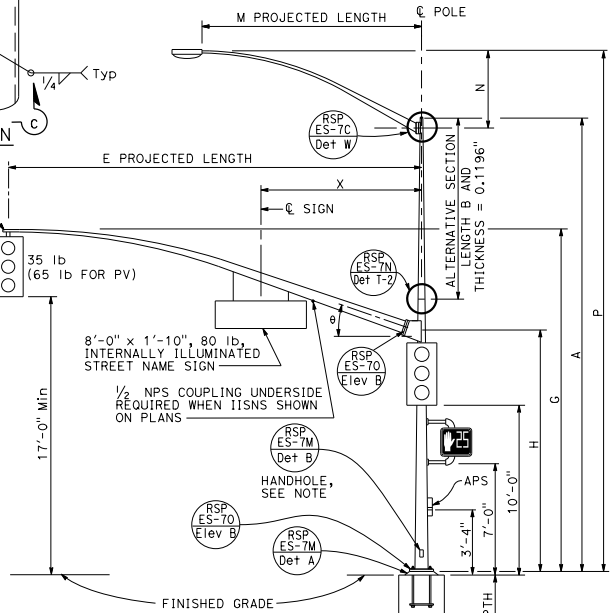


SECTION C-C



ELEVATION

REQUIRED FOR
TYPE 17-2-100
TYPE 17A-2-100



TYPE 17-2-100, 17A-2-100,
19-2-100, 19A-2-100

ELEVATION B

STATE OF CALIFORNIA
DEPARTMENT OF TRANSPORTATION

**ELECTRICAL SYSTEMS
(SIGNAL AND LIGHTING STANDARD,
CASE 2 SIGNAL MAST ARM LOADING,
WIND VELOCITY=100 MPH AND SIGNAL
MAST ARM LENGTHS 15' TO 30')**

NO SCALE

RSP ES-7D DATED JULY 15, 2016 SUPERSEDES RSP ES-7D DATED OCTOBER 30, 2015 AND RSP ES-7D DATED JULY 19, 2013 AND STANDARD PLAN ES-7D DATED MAY 20, 2011 - PAGE 465 OF THE STANDARD PLANS BOOK DATED 2010.

REVISED STANDARD PLAN RSP ES-7D

DIST	COUNTY	ROUTE	POST MILES TOTAL PROJECT	SHEET No.	TOTAL SHEETS

Stanley P. Johnson
REGISTERED CIVIL ENGINEER

July 15, 2016
PLANS APPROVAL DATE

Stanley P. Johnson
No. C67935
Exp. 3-31-18
CIVIL ENGINEER PROFESSIONAL SERVICES
STATE OF CALIFORNIA

NOTE: TO ACCOMPANY PLANS DATED _____
Handhole shall be located on the downstream side of traffic.

E PROJECTED LENGTH	G MOUNTING HEIGHT	H	Min OD AT POLE	THICKNESS	I BOLT CIRCLE	HS CAP SCREWS	J PLATE SIZE	K MAST ARM THICKNESS	L POLE THICKNESS	θ	X Max
15'-0"	21'-8"±	17'-6"	7 3/8"	0.1793"	12"	1 1/4"-7NC-3"	1'-1"	1/4"	1 1/2"	23°	10'-6"
20'-0"	21'-8"±	8"									
25'-0"	22'-8"±	9"									
30'-0"	23'-0"±	10"									
30'-0"	23'-0"±	10"									

M PROJECTED LENGTH	N RISE	Min OD AT POLE	THICKNESS	P MOUNTING HEIGHT
6'-0"	2'-0"±	3/4"	0.1196"	30'-0" POLE
8'-0"	2'-6"±	3/2"		31'-6"±
10'-0"	3'-3"±	3"		32'-0"±
12'-0"	4'-3"±	3 3/8"		32'-9"±
15'-0"	4'-9"±	4 1/4"		33'-9"±
				34'-3"±
				35'-0" POLE
				36'-6"±
				37'-0"±
				37'-9"±
			38'-9"±	
			39'-3"±	

POLE TYPE	LOAD CASE	WIND VELOCITY (mph)	POLE DATA			BASE PLATE DATA			LUMINAIRE MAST ARM	SIGNAL MAST ARM	CIDH PILE FOUNDATION					
			A HEIGHT	Min OD BASE	TOP	THICKNESS	B LENGTH	BOTTOM			TOP	C	BC = BOLT CIRCLE	THICKNESS	ANCHOR BOLT SIZE	Diag
16-2-100	2	100	18'-6"	11 3/8"	0.2391" OR 0.25"	10'-0"	11 1/8"	9 3/4"	1'-10"	1'-8"	2 1/2"	2"Ø x 42"	None	15'-0", 20'-0"	3'-6"	10'-0"
17-2-100			30'-0"	9 3/4"												
17A-2-100			35'-0"	9"												
18-2-100			17'-0"	11 1/8"												
19-2-100			30'-0"	9 3/4"												
19A-2-100			35'-0"	16"												

INDICATES MAST ARM LENGTH TO BE USED UNLESS OTHERWISE NOTED ON PLANS.

2010 REVISED STANDARD PLAN RSP ES-7D