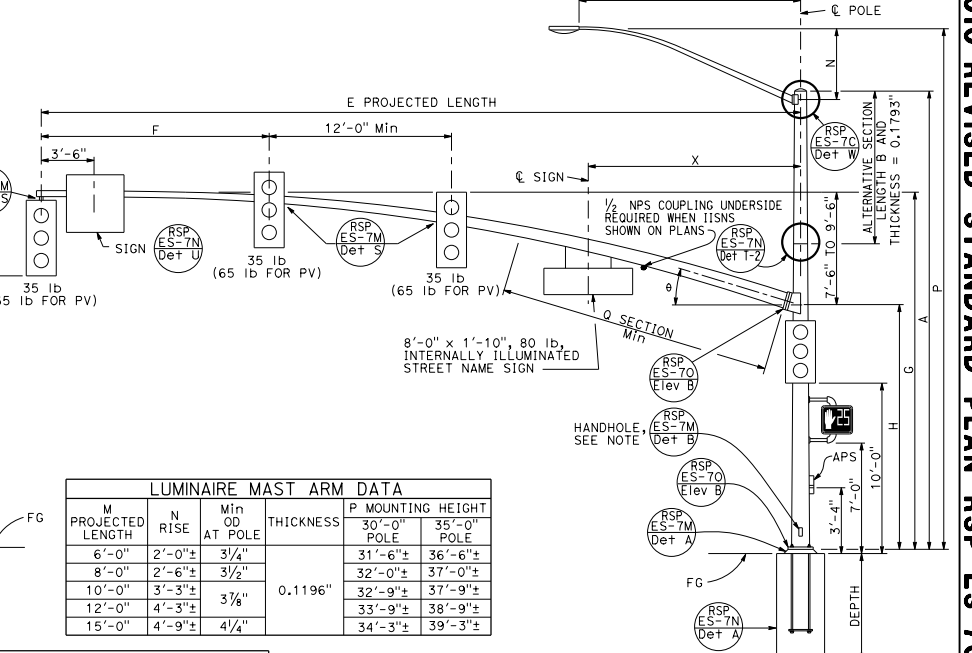


DIST	COUNTY	ROUTE	POST MILES TOTAL PROJECT	SHEET NO.	TOTAL SHEETS

Stanley P. Johnson
 REGISTERED CIVIL ENGINEER
 No. C57935
 July 15, 2016
 PLANS APPROVAL DATE
 THE STATE OF CALIFORNIA OR ITS OFFICERS OR AGENTS SHALL NOT BE RESPONSIBLE FOR THE ACCURACY OR COMPLETENESS OF SCANNED COPIES OF THIS PLAN SHEET.
 STATE OF CALIFORNIA PROFESSIONAL ENGINEERS
 Exp. 3-31-18
 CIVIL



M PROJECTED LENGTH	N RISE	Min OD AT POLE	THICKNESS	P MOUNTING HEIGHT POLE	P MOUNTING HEIGHT POLE
6'-0"	2'-0"±	3 1/4"	0.1196"	31'-6"±	36'-6"±
8'-0"	2'-6"±	3 1/2"		32'-0"±	37'-0"±
10'-0"	3'-3"±	3 3/4"		32'-9"±	37'-9"±
12'-0"	4'-3"±	3 7/8"		33'-9"±	38'-9"±
15'-0"	4'-9"±	4 1/4"		34'-3"±	39'-3"±

E PROJECTED LENGTH	F Min SPACING	G MOUNTING HEIGHT	H	Min OD AT POLE	THICKNESS	I BOLT CIRCLE	J HS CAP SCREWS	K PLATE SIZE	L MAST ARM THICKNESS	M POLE R THICKNESS	N	O SECTION LENGTH	P SECTION THICKNESS	Q SECTION LENGTH	R X Max
50'-0"	15'-0"	23'-7 1/2" TO 25'-7 1/2"±	16'-0"	1 17/16"	0.1793"	16"	1 1/2"-6NC-3/4"	1'-9"	1 3/4"	1 3/4"	15°	18'-0"	0.2391"	23'-0"	14'-0"
55'-0"				1 1/4"											

POLE TYPE	LOAD CASE	WIND VELOCITY (mph)	POLE DATA				BASE PLATE DATA				LUMINAIRE MAST ARM	SIGNAL MAST ARM	CIDH PILE FOUNDATION				
			A HEIGHT	Min OD BASE	Min OD TOP	THICKNESS	ALTERNATIVE SECTION B LENGTH	SECTION TOP	C	BC = BOLT CIRCLE			THICKNESS	ANCHOR BOLT SIZE	D1a	DEPTH	
28-5-100	5	100	17'-0"	19 5/8"	22"	0.375"	10'-0"	19 1/8"	17 3/4"	2'-6"	2'-4"	3"	2 1/4"Ø x 42"	NONE	50'-0"	4'-0"	14'-0"
29-5-100			30'-0"	17 3/4"	17"		15'-0"	19 1/8"	17"					6'-15" [15'-0"]	[55'-0"]		
29A-5-100			35'-0"	17"													

□ INDICATES MAST ARM LENGTH TO BE USED UNLESS OTHERWISE NOTED ON PLANS.

TYPE 29-5-100, 29A-5-100 ELEVATION B
 STATE OF CALIFORNIA
 DEPARTMENT OF TRANSPORTATION
ELECTRICAL SYSTEMS (SIGNAL AND LIGHTING STANDARD, CASE 5 SIGNAL MAST ARM LOADING, WIND VELOCITY=100 MPH AND SIGNAL MAST ARM LENGTHS 50' TO 55')
 NO SCALE
 RSP ES-7G DATED JULY 15, 2016 SUPERSEDES RSP ES-7G DATED OCTOBER 30, 2015 AND RSP ES-7G DATED JULY 19, 2013 AND STANDARD PLAN ES-7G DATED MAY 20, 2011 - PAGE 468 OF THE STANDARD PLANS BOOK DATED 2010.
REVISED STANDARD PLAN RSP ES-7G

2010 REVISED STANDARD PLAN RSP ES-7G