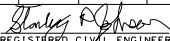
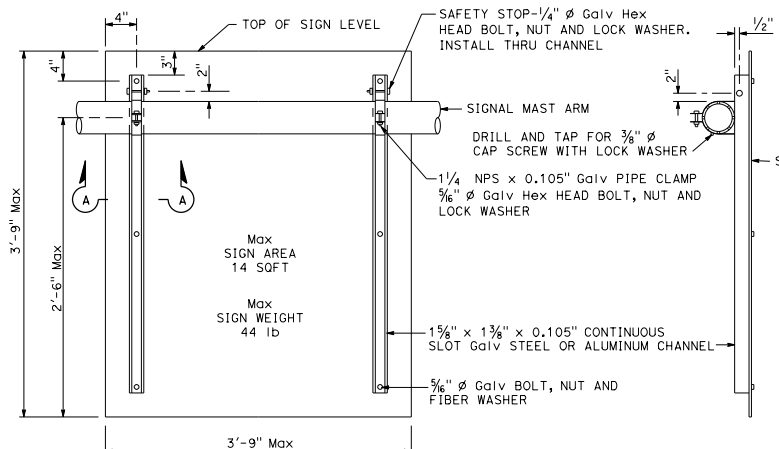


DIST	COUNTY	ROUTE	POST MILES TOTAL PROJECT	SHEET TOTAL SHEETS

  
 REGISTERED CIVIL ENGINEER  
 No. CS7793  
 Exp. 3-31-18  
 CIVIL  
 STATE OF CALIFORNIA

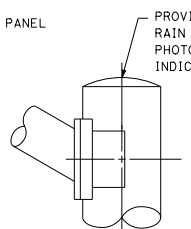
July 15, 2016  
 PLANS APPROVAL DATE  
 THE STATE OF CALIFORNIA OR ITS OFFICERS OR AGENTS SHALL NOT BE RESPONSIBLE FOR THE ACCURACY OR COMPLETENESS OF SCANNED COPIES OF THIS PLAN SHEET.



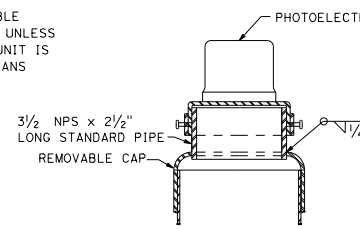
REAR VIEW

SIDE VIEW

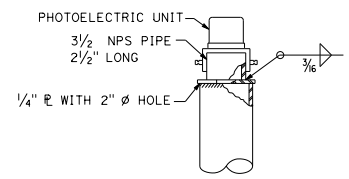
**SIGN MOUNTING DETAILS**  
**DETAIL U**



STANDARD TOP  
DETAIL B-1

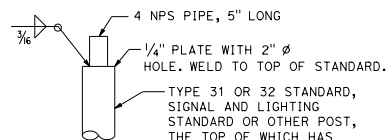


MOUNTING ADAPTER FOR  
PHOTOELECTRIC UNIT  
DETAIL B-2



ALTERNATIVE  
MOUNTING ADAPTER  
DETAIL B-3

**POLE TOP DETAILS**  
**DETAIL B**

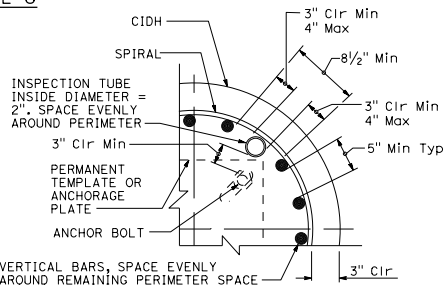


DETAIL C-1

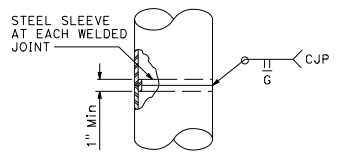
**CIDH REINFORCING AND INSPECTION TUBE SCHEDULE**

CIDH DIAMETER	VERTICAL BARS	SPIRAL	INSPECTION TUBE
2 ft	8-#5		2
2.5 ft	10-#6	#4 AT 6	4*
3 ft	12-#7		4
3.5 ft	14-#8	#5 AT 6	4
4 ft	18-#9	2-#4 AT 7	5
4.5 ft	18-#9	2-#5 AT 7	5
5 ft	22-#10	2-#5 AT 7	6
6 ft	26-#11	2-#6 AT 7	7

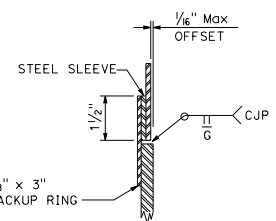
\* FOR SLIP BASE VERSIONS WITH 3 ANCHOR BOLTS USE 3 INSPECTION TUBES.



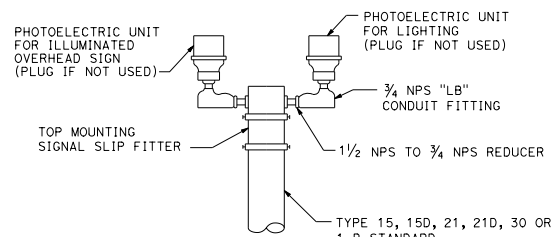
**INSPECTION TUBE PLACEMENT**  
**DETAIL I**



FOR UNIFORM TUBE THICKNESS  
DETAIL T-1



AT TUBE THICKNESS CHANGE  
DETAIL T-2



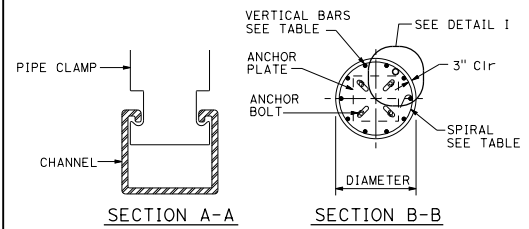
**DUAL PHOTOELECTRIC UNIT MOUNTING DETAIL**  
**DETAIL C**

STATE OF CALIFORNIA  
DEPARTMENT OF TRANSPORTATION

**ELECTRICAL SYSTEMS**  
**(SIGNAL AND LIGHTING STANDARD,**  
**DETAIL No. 2)**

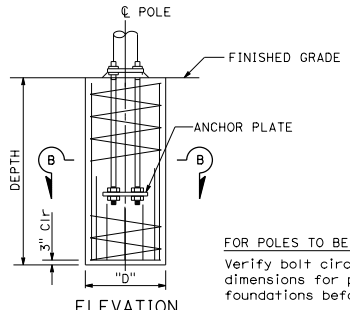
NO SCALE  
RSP ES-7N DATED JULY 15, 2016 SUPERSEDES RSP ES-7N DATED OCTOBER 30, 2015 AND  
STANDARD PLAN ES-7N DATED MAY 20, 2011 - PAGE 475 OF THE STANDARD PLANS BOOK DATED 2010.

**REVISED STANDARD PLAN RSP ES-7N**



SECTION A-A

SECTION B-B



ELEVATION

FOR POLES TO BE INSTALLED ON EXISTING FOUNDATION:  
Verify bolt circles, anchor bolt sizes and dependent dimensions for poles to be installed on existing foundations before fabricating the poles.

**CAST-IN-DRILLED-HOLE PILE FOUNDATION,**  
**REINFORCED PILE**  
**DETAIL A**

2010 REVISED STANDARD PLAN RSP ES-7N