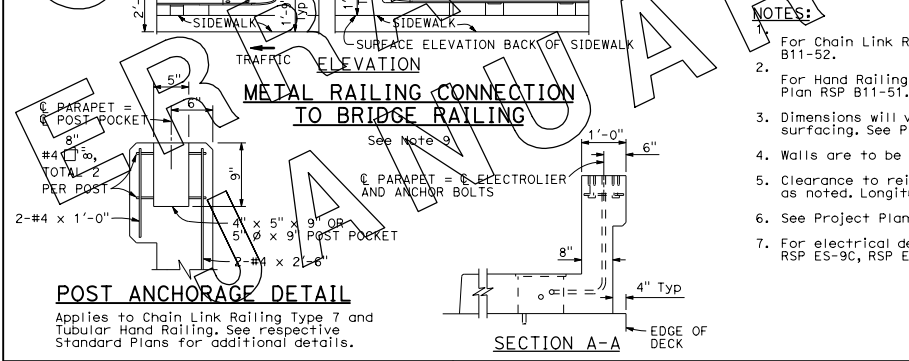
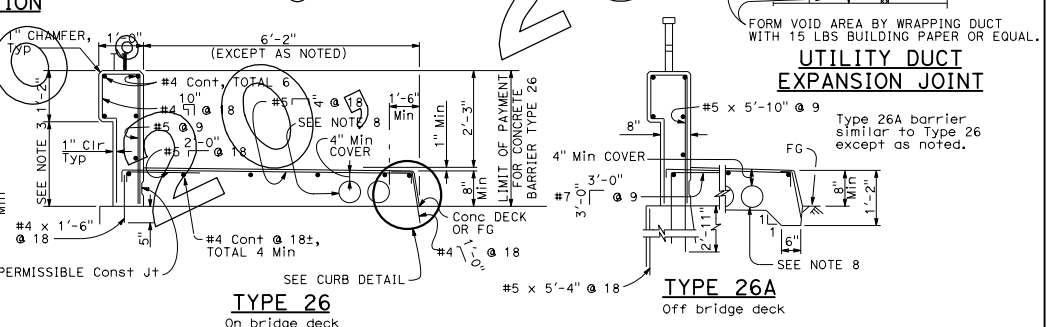
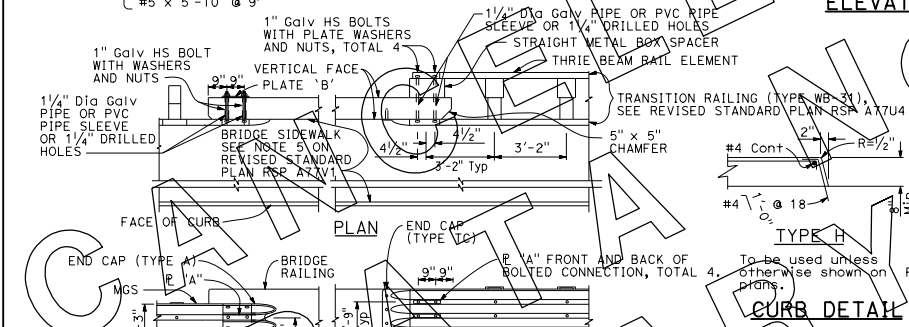
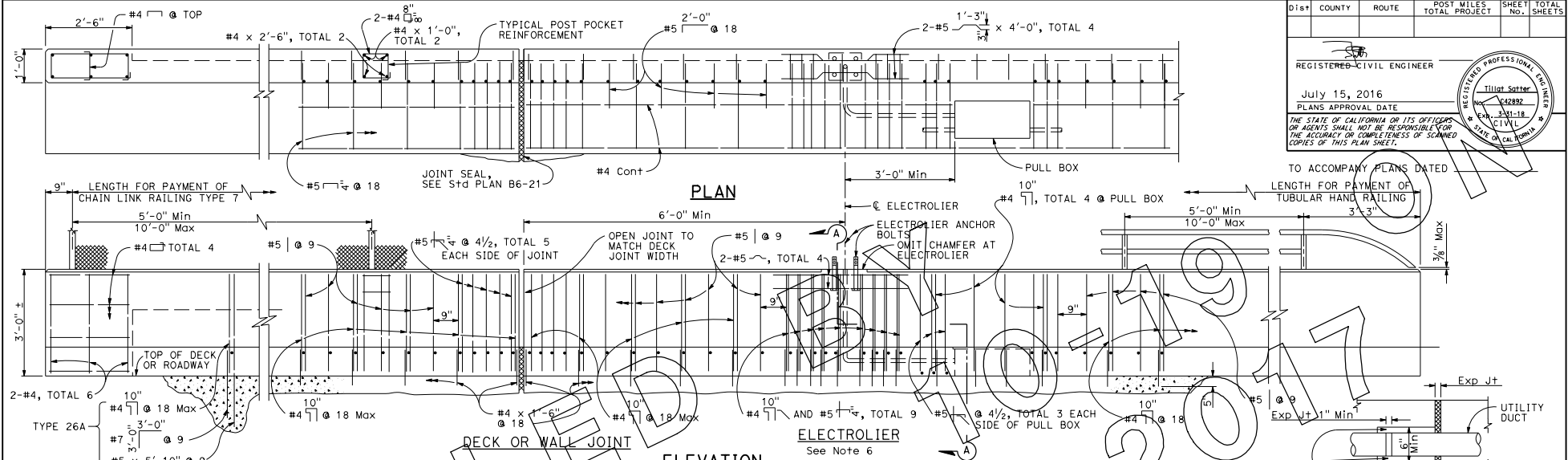


DIST	COUNTY	ROUTE	POST MILES TOTAL PROJECT	SHEET NO.	TOTAL SHEETS

REGISTERED CIVIL ENGINEER
Tillot Satter
No. 44892
Exp. 3/31/18
REGISTERED PROFESSIONAL ENGINEER
STATE OF CALIFORNIA

July 15, 2016
PLANS APPROVAL DATE

THE STATE OF CALIFORNIA OR ITS OFFICERS OR AGENTS SHALL NOT BE RESPONSIBLE FOR THE ACCURACY OR COMPLETENESS OF SCANNED COPIES OF THIS PLAN SHEET.



NOTES:

- For Chain Link Railing notes and details not shown, see Standard Plan B11-52.
- For Hand Railing notes and details not shown, see Revised Standard Plan RSP B11-51.
- Dimensions will vary with cross slope and with certain thicknesses of surfacing. See Project Plans.
- Walls are to be backfilled before railing is placed.
- Clearance to reinforcing steel in curb and railing to be 1" except as noted. Longitudinal reinforcement to stop at all expansion joints.
- See Project Plans for electrolier locations and pull box type.
- For electrical details, see Revised Standard Plans RSP ES-9A, RSP ES-9B, RSP ES-9C, RSP ES-9D and RSP ES-9E.
- A maximum of five - 4" and a minimum of two - 4" round openings for future utilities. Openings are to be sealed at ends and extended 8" minimum past end of sidewalk if not used. Duct forms are to be tied down. Minimum of 6" from face of rail to utility opening. See Standard Plan B14-3 for minimum spacing between conduits and for details at joints.
- For typical metal railing connection details not shown, see Revised Standard Plans RSP A77V1 and RSP A77V2.
- This barrier is to be used only for speeds of 45 MPH or less. For speeds greater than 45 MPH, pedestrians should be protected by a separation traffic barrier.

STATE OF CALIFORNIA
DEPARTMENT OF TRANSPORTATION
CONCRETE BARRIER TYPE 26
NO SCALE

RSP B11-54 DATED JULY 15, 2016 SUPERSEDES RSP B11-54 DATED NOVEMBER 15, 2013 AND RSP B11-54 DATED JULY 19, 2013 AND STANDARD PLAN B11-54 DATED MAY 20, 2011 - PAGE 296 OF THE STANDARD PLANS BOOK DATED 2010.

REVISED STANDARD PLAN RSP B11-54

2010 REVISED STANDARD PLAN RSP B11-54