

DIST	COUNTY	ROUTE	POST MILES TOTAL PROJECT	SHEET NO.	TOTAL SHEETS

Randell D. Hiatt
REGISTERED CIVIL ENGINEER

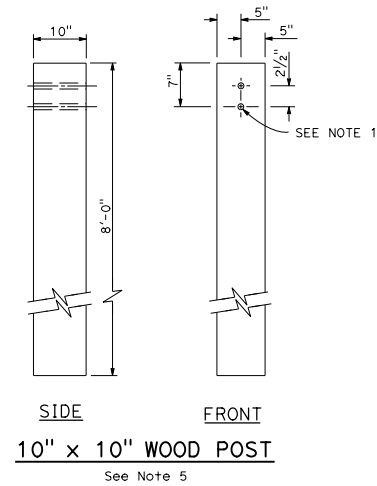
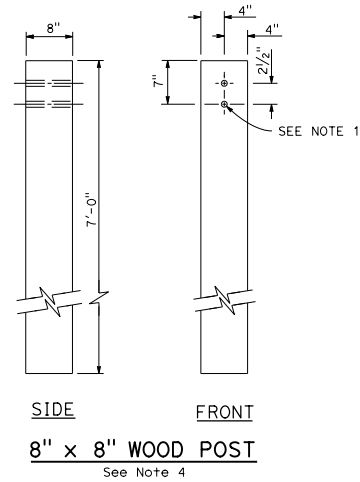
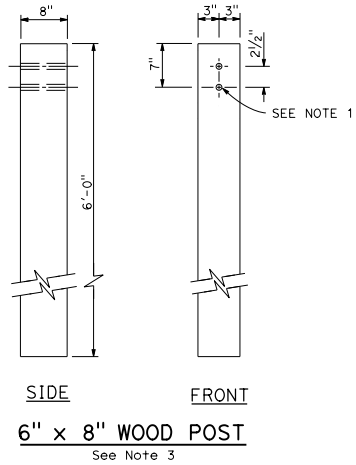
January 20, 2017
PLANS APPROVAL DATE

Randell D. Hiatt
REGISTERED PROFESSIONAL ENGINEER
No. C50200
Exp. 6-30-17
CIVIL
STATE OF CALIFORNIA

THE STATE OF CALIFORNIA OR ITS OFFICERS OR AGENTS SHALL NOT BE RESPONSIBLE FOR THE ACCURACY OR COMPLETENESS OF SCANNED COPIES OF THIS PLAN SHEET.

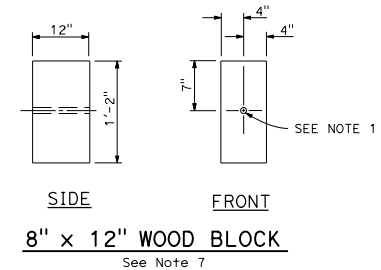
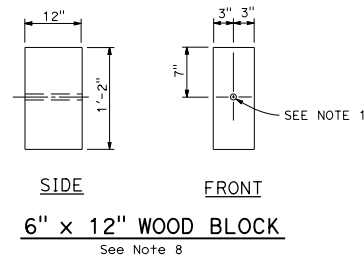
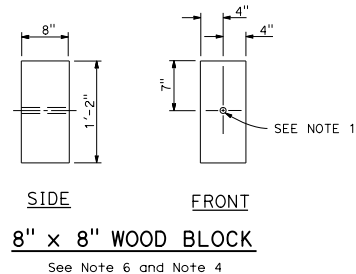
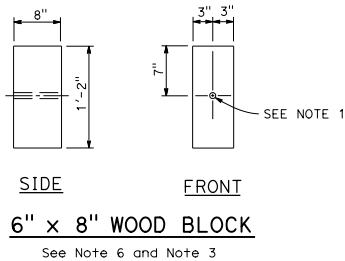
TO ACCOMPANY PLANS DATED _____

2010 REVISED STANDARD PLAN RSP A77N1



NOTES:

- All holes in wood posts and blocks shall be $\frac{3}{4}$ " Dia \pm $\frac{1}{16}$ ".
- Dimensions shown for wood post are nominal.
- This post and block combination used for standard line post sections of MGS.
- This post and 8" x 12" block combination used for line post sections of MGS on narrow roadways.
- This post and 8" x 12" block combination is typically used where strengthened line post sections of MGS are warranted to shield fixed objects.
- See Revised Standard Plan RSP A77L3 for use of 6" x 8" and 8" x 8" wood blocks.
- To be used with 8" x 8" x 7'-0" wood post if installed with 6" height dike.
- To be used with 6" x 8" x 6'-0" wood post if installed with 6" height dike.



STATE OF CALIFORNIA
DEPARTMENT OF TRANSPORTATION

**MIDWEST GUARDRAIL SYSTEM
WOOD POST AND
WOOD BLOCK DETAILS**

NO SCALE

RSP A77N1 DATED JANUARY 20, 2017 SUPERSEDES RSP A77N1
DATED JULY 19, 2013 THAT SUPPLEMENTS THE STANDARD PLANS BOOK DATED 2010.

REVISED STANDARD PLAN RSP A77N1