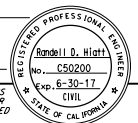


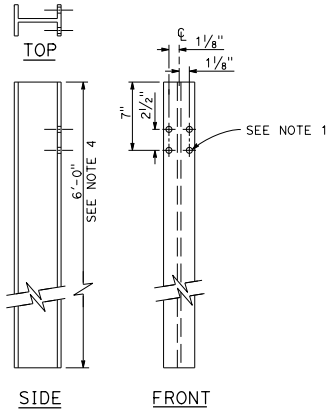
DIST	COUNTY	ROUTE	POST MILES TOTAL PROJECT	SHEET TOTAL NO. SHEETS
<b>Randell D. Hiatt</b> REGISTERED CIVIL ENGINEER				
January 20, 2017 PLANS APPROVAL DATE				
No. C50200 Exp. 6-30-17 CIVIL				
THE STATE OF CALIFORNIA OR ITS OFFICERS OR AGENTS SHALL NOT BE RESPONSIBLE FOR THE ACCURACY OR COMPLETENESS OF SCANNED COPIES OF THIS PLAN SHEET.				



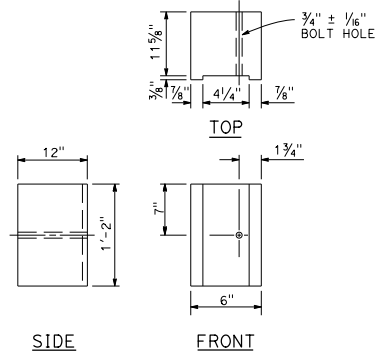
TO ACCOMPANY PLANS DATED \_\_\_\_\_

**NOTES:**

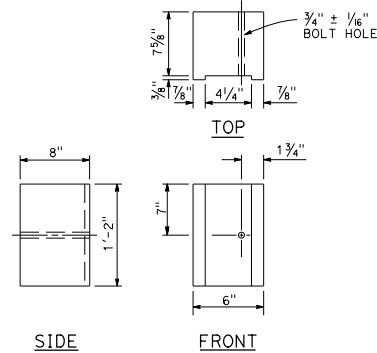
- All holes in steel post shall be  $\frac{3}{16}$ " Dia maximum.
- Dimensions shown for wood block are nominal.
- Notched face of block faces steel post.
- 6'-0" length posts to be used for typical roadway installation. See Revised Standard Plan RSP A77N3.
- See Revised Standard Plan RSP A77L3 for use of 6" x 8" and 8" x 8" notched wood blocks.
- This post and 8" x 12" block combination to be used for line post sections of MGS on narrow roadways and where strengthened line post sections of MGS are warranted to shield fixed objects.
- 6" x 12" notched wood block and 8" x 12" notched wood block must be used with 6" dike.



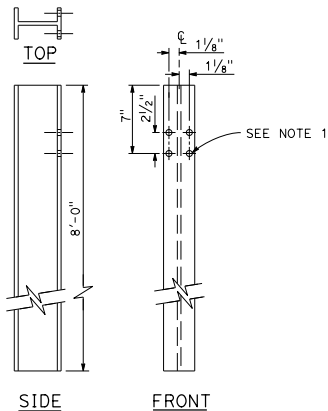
**W6 x 9 OR W6 x 8.5  
STEEL POST**  
See Note 4



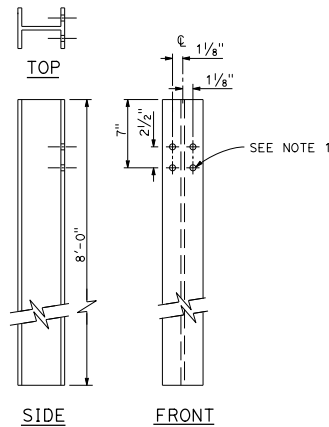
**6" x 12"  
NOTCHED WOOD BLOCK**  
See Notes 2, 3 and 7



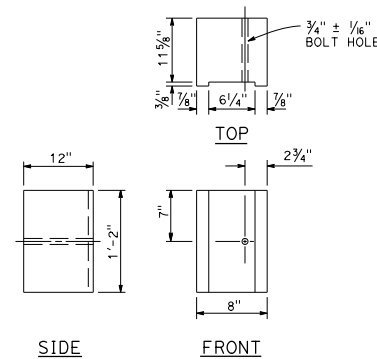
**6" x 8"  
NOTCHED WOOD BLOCK**  
Only for use with metal beam guard railing. See Note 5



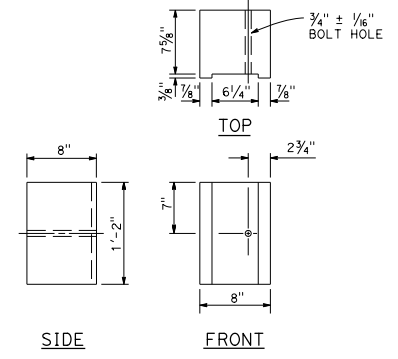
**W6 x 9 OR W6 x 8.5  
STEEL POST**  
See Note 6



**W6 x 15  
STEEL POST**



**8" x 12"  
NOTCHED WOOD BLOCK**  
See Notes 2, 3 and 7



**8" x 8"  
NOTCHED WOOD BLOCK**  
Only for use with metal beam guard railing. See Note 5

STATE OF CALIFORNIA  
DEPARTMENT OF TRANSPORTATION  
**MIDWEST GUARDRAIL SYSTEM  
STEEL POST AND  
NOTCHED WOOD BLOCK DETAILS**

NO SCALE  
RSP A77N2 DATED JANUARY 20, 2017 SUPERSEDES RSP A77N2 DATED NOVEMBER 15, 2013 AND  
RSP A77N2 DATED JULY 19, 2013 THAT SUPPLEMENTS THE STANDARD PLANS BOOK DATED 2010.

**REVISED STANDARD PLAN RSP A77N2**

2010 REVISED STANDARD PLAN RSP A77N2