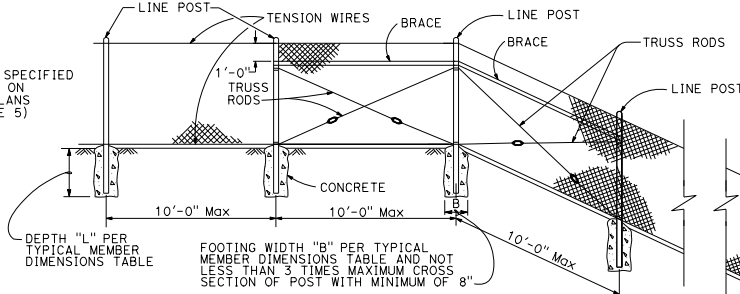
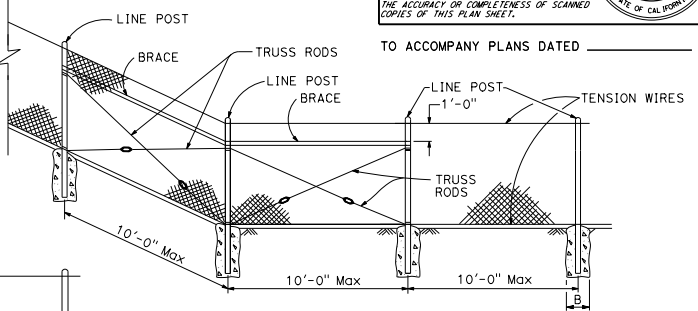


**FENCE LOCATION**



**CHAIN LINK FENCE ON SHARP BREAK IN GRADE**

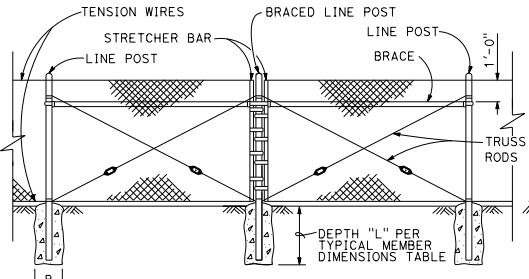


DIST	COUNTY	ROUTE	POST MILES TOTAL PROJECT	SHEET NO.	TOTAL SHEETS

REGISTERED CIVIL ENGINEER  
Sukdeep Singh Sandher  
No. C74893  
Exp. 12-31-17  
CIVIL

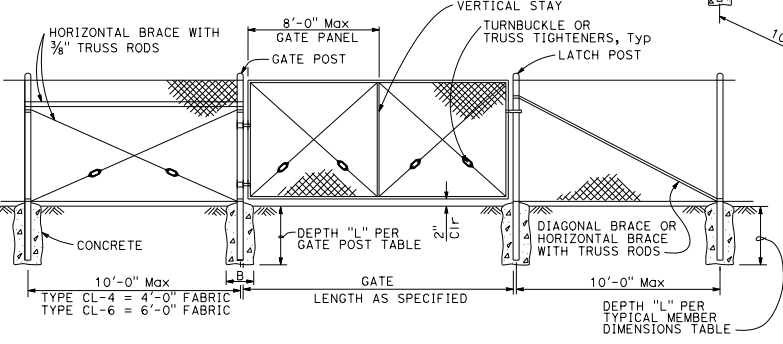
January 20, 2017  
PLANS APPROVAL DATE

TO ACCOMPANY PLANS DATED \_\_\_\_\_



**BRACED LINE POST INSTALLATION**

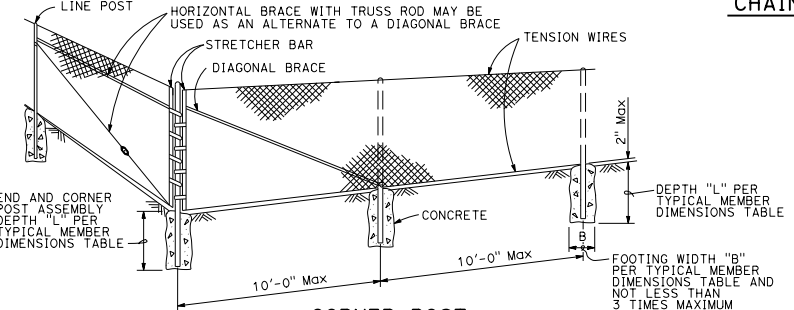
Braced line post at intervals not exceeding 1000'



**CHAIN LINK GATE INSTALLATION**

FENCE HEIGHT (Max)	SLATTED	B (in)	L (ft)	ROUND PIPE		
				SECTION	ROUND OD PIPE	WEIGHT (lb/ft)
				5'-0"	NO	12"
6'-0"	NO	12"	2'-6"	3 Std	3.50"	7.58
8'-0"	NO	12"	3'-0"	3 Std	3.50"	7.58
10'-0"	NO	14"	3'-6"	3 Std	3.50"	7.58
5'-0"	YES	12"	3'-0"	3 1/2 Std	4.00"	9.12
6'-0"	YES	14"	3'-6"	4 Std	4.50"	10.80
8'-0"	YES	18"	3'-6"	5 Std	5.56"	14.60
10'-0"	YES	20"	4'-0"	6 Std	6.63"	19.00

Above post dimensions and weights are minimums. Larger sizes may be used upon approval. Maximum Gate Width is 24'-0".



**CORNER POST**

- NOTES:**
- The table to the right shows minimum sized posts and braces complying with the specifications. Larger or heavier post and brace sizes may be used upon approval.
  - Sections shown in the tables must also comply with the strength requirements and other provisions of the specifications.
  - Other sections which comply with the strength requirements and other provisions of the specifications may be used upon approval.
  - Options exercised shall be uniform on any one project.
  - Offset to be 2'-0" at monument locations, measured at right angles to R/W lines. Taper to achieve offset to be at least 20'-0" long.
  - See Revised Standard Plan RSP A85B for Brace, Stretcher Bar, and Truss Tightener Details.

FENCE HEIGHT (Max)	SLATTED	B (in)	L (ft)	TYPICAL MEMBER DIMENSIONS (See Notes)									
				LINE POSTS				BRACES					
				ROUND PIPE		ROLL FORMED		ROUND PIPE		ROLL FORMED			
				SECTION	ROUND OD PIPE	WEIGHT (lb/ft)	SECTION	WEIGHT (lb/ft)	SECTION	ROUND OD PIPE	WEIGHT (lb/ft)	SECTION	WEIGHT (lb/ft)
5'-0"	NO	8"	2'-6"	1 1/2 Std	1.90"	2.72	1.875" x 1.625"	1.85	1 1/2" Std	1.90"	2.72	1.625" x 1.250"	1.35
6'-0"	NO	10"	2'-6"	2 Std	2.38"	3.66	1.875" x 1.625"	2.40	2 Std	2.38"	3.66	1.625" x 1.250"	1.35
8'-0"	NO	12"	3'-0"	2 1/2 Std	2.88"	5.80	3.250" x 2.500"	4.50	2 Std	2.38"	3.66	1.625" x 1.250"	1.35
10'-0"	NO	14"	3'-6"	3 Std	3.50"	7.58	3.250" x 2.500"	4.50	2 1/2" Std	2.88"	5.80	1.625" x 1.250"	1.35
5'-0"	YES	12"	3'-0"	3 1/2 Std	4.00"	9.12	N/A	-	2 Std	2.38"	3.66	N/A	-
6'-0"	YES	14"	3'-0"	4 Std	4.50"	10.80	N/A	-	2 Std	2.38"	3.66	N/A	-
8'-0"	YES	18"	3'-6"	5 Std	5.56"	14.60	N/A	-	2 Std	2.38"	3.66	N/A	-
10'-0"	YES	20"	4'-0"	6 Std	6.63"	19.00	N/A	-	2 1/2" Std	2.88"	5.80	N/A	-

STATE OF CALIFORNIA  
DEPARTMENT OF TRANSPORTATION

**CHAIN LINK FENCE**

NO SCALE

RSP A85 DATED JANUARY 20, 2017 SUPERSEDES RSP A85 DATED JULY 15, 2016 AND RSP A85 DATED JULY 18, 2014 AND STANDARD PLAN A85 DATED MAY 20, 2011 - PAGE 112 OF THE STANDARD PLANS BOOK DATED 2010.

**REVISED STANDARD PLAN RSP A85**

2010 REVISED STANDARD PLAN RSP A85