


D16+	COUNTY	ROUTE	POST MILES TOTAL PROJECT	SHEET TOTAL No. SHEETS

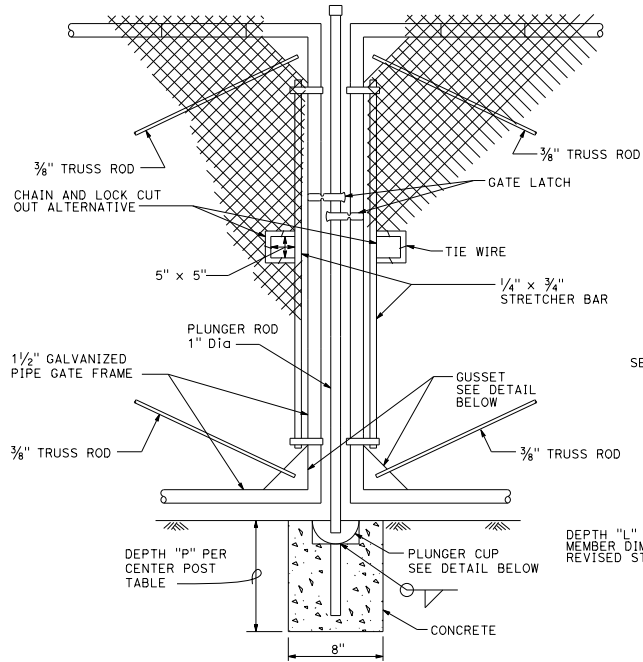


 REGISTERED CIVIL ENGINEER
 January 20, 2017
 PLANS APPROVAL DATE
 THE STATE OF CALIFORNIA OR ITS OFFICERS OR AGENTS SHALL NOT BE RESPONSIBLE FOR THE ACCURACY OR COMPLETENESS OF SCANNED COPIES OF THIS PLAN SHEET.

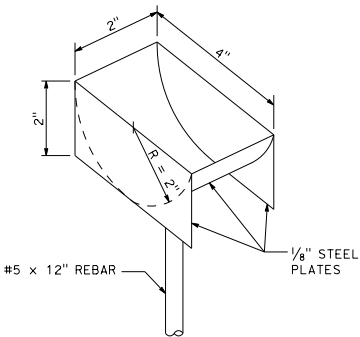
NOTES:

1. B is not less than 3 times maximum cross section of post with minimum of 8".
2. See Revised Standard Plan RSP A85 for Chain Link Fencing dimensions.
3. See Detail A on Standard Plan A86B for connection at headwall.
4. See Detail D on Standard Plan A86B for connection at headwall.

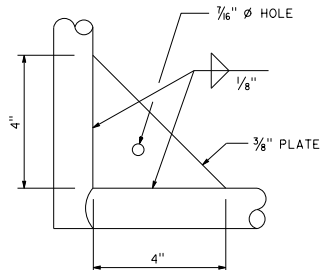
TO ACCOMPANY PLANS DATED _____



**DOUBLE GATE
REMOVABLE CENTER POST**

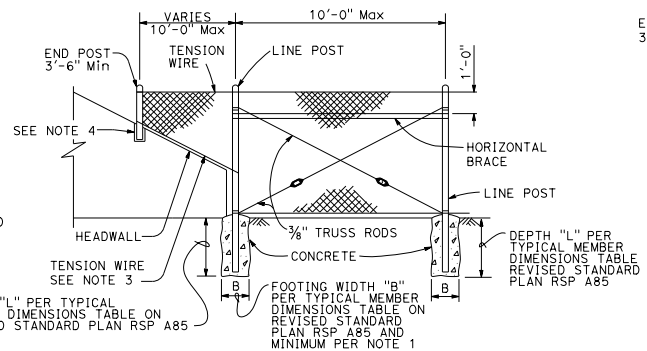


PLUNGER CUP DETAIL

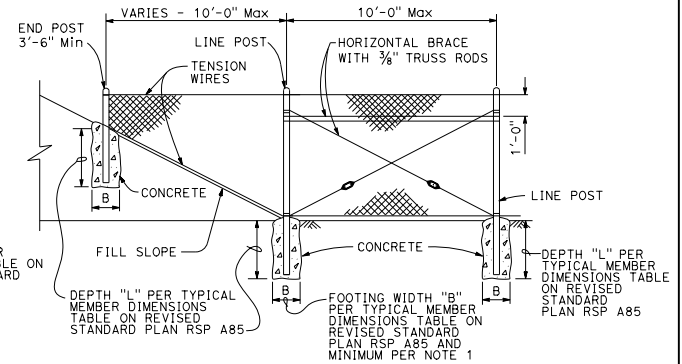


GUSSET DETAIL

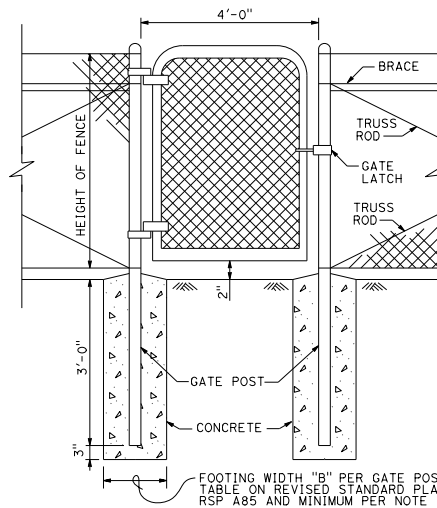
CENTER POST		
FENCE HEIGHT (Max)	SLATTED	P
ALL HEIGHTS	NO	1'-6"
5'-0"	YES	3'-0"
6'-0"	YES	3'-0"
8'-0"	YES	3'-6"
10'-0"	YES	4'-0"



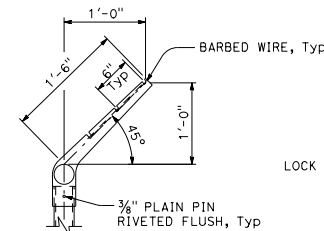
METHOD OF TYING FENCE TO HEADWALL



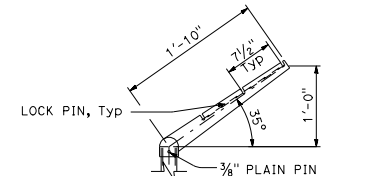
METHOD OF ERECTING FENCE FOR FILL SLOPE



WALK GATE



BARBED WIRE POST TOP



CORNER POST

**CHAIN LINK FENCE DETAILS
NO SCALE**

RSP A85A DATED JANUARY 20, 2017 SUPERSEDES RSP A85A DATED JULY 15, 2016 AND STANDARD PLAN A85A DATED MAY 20, 2011 - PAGE 113 OF THE STANDARD PLANS BOOK DATED 2010.

REVISED STANDARD PLAN RSP A85A

2010 REVISED STANDARD PLAN RSP A85A