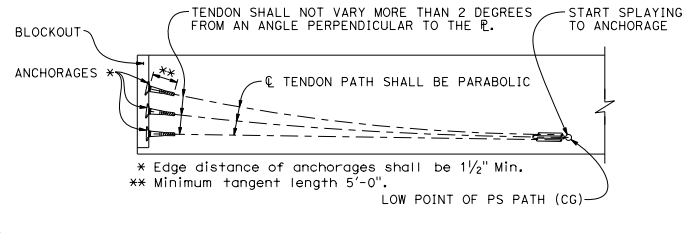
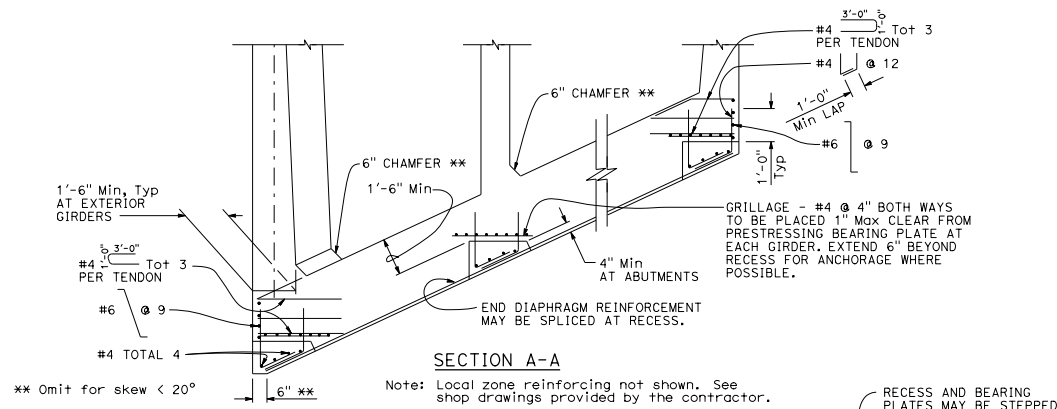


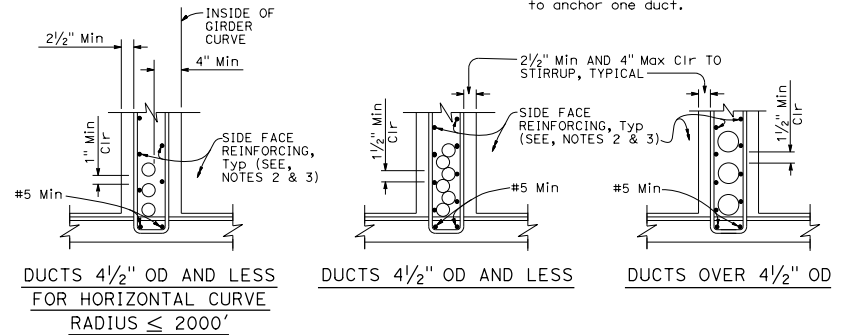
**DUCT TIES AT TENDON HORIZONTAL ANGLE CHANGES
DETAIL 5-1**



**ELEVATION - ANCHORAGES AND PRESTRESSING PATH
DETAIL 5-2**



**PRESTRESS ANCHORAGE DETAILS AT END DIAPHRAGMS
DETAIL 5-3**



**CLEARANCE REQUIREMENTS FOR DUCTS
DETAIL 5-4**

- NOTES FOR DETAIL 5-4:**
- Stirrups may also be used.
 - For additional details, see Standard Plan B7-1, and Project Plans.
 - Bar reinforcing which interferes with prestressing ducts may be adjusted as approved by the Engineer.
 - The detail for "DUCTS OVER 4 1/2" OD" shall be used on tangent and horizontally curved alignments.

STATE OF CALIFORNIA
DEPARTMENT OF TRANSPORTATION
**CAST-IN-PLACE
POST-TENSIONED GIRDER DETAILS**
NO SCALE

RSP B8-5 DATED JANUARY 20, 2017 SUPERSEDES RSP B8-5 DATED JULY 19, 2013 AND STANDARD PLAN B8-5 DATED MAY 20, 2011 - PAGE 291 OF THE STANDARD PLANS BOOK DATED 2010.

REVISED STANDARD PLAN RSP B8-5

2010 REVISED STANDARD PLAN RSP B8-5

DIST	COUNTY	ROUTE	POST MILES TOTAL PROJECT	SHEET NO.	TOTAL SHEETS

REGISTERED CIVIL ENGINEER
Marc Fr Ledheim
No. C57968
PLANS APPROVAL DATE
January 20, 2017
EXPIRES 6-30-18
CIVIL
REGISTERED PROFESSIONAL ENGINEER
STATE OF CALIFORNIA

THE STATE OF CALIFORNIA OR ITS OFFICERS OR AGENTS SHALL NOT BE RESPONSIBLE FOR THE ACCURACY OR COMPLETENESS OF SCANNED COPIES OF THIS PLAN SHEET.

- TO ACCOMPANY PLANS DATED _____
- NOTES FOR DETAIL 5-1**
- Tendon horizontal angle change at end diaphragm shown. Duct tie placement similar for other locations where tendon horizontal angle changes occur. For curved girders place duct ties at tendon angle changes where tendon radius is smaller than tendon radius.
 - Adjacent duct ties may be staggered vertically to facilitate placement if stirrup spacing is 6 inches or less.
 - Place closed end of duct ties toward inside of tendon curve.
 - Wrap duct ties around both stirrup legs.
 - Individual duct ties may only be used to anchor one duct.