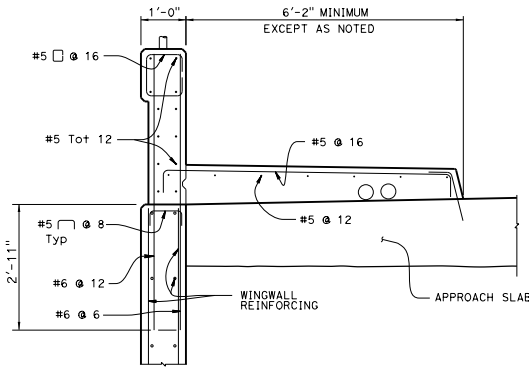
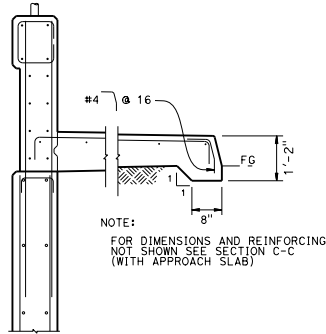


NOTE:  
RAILING AND FENCE NOT SHOWN FOR CLARITY



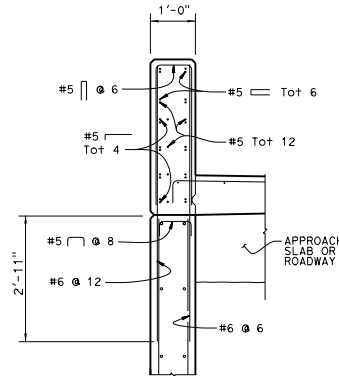
(WITH APPROACH SLAB)



(WITHOUT APPROACH SLAB)

**SECTION C-C**

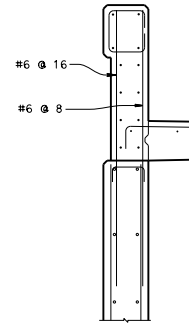
NOTE:  
FOR DIMENSIONS AND REINFORCING  
NOT SHOWN SEE SECTION C-C  
(WITH APPROACH SLAB)



NOTE:  
FOR SIDEWALK SEE SECTION C-C

**SECTION D-D**

FOR DIMENSIONS AND  
Reinf NOT SHOWN SEE  
SECTION C-C



**SECTION F-F**

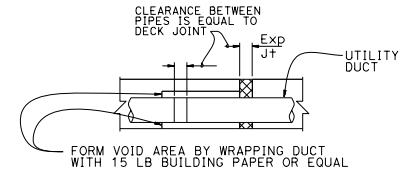
DIST	COUNTY	ROUTE	POST MILES TOTAL PROJECT	SHEET NO.	TOTAL SHEETS

REGISTERED CIVIL ENGINEER  
Tillot Satter  
No. C42892  
EXP. 3-31-18  
CIVIL  
STATE OF CALIFORNIA

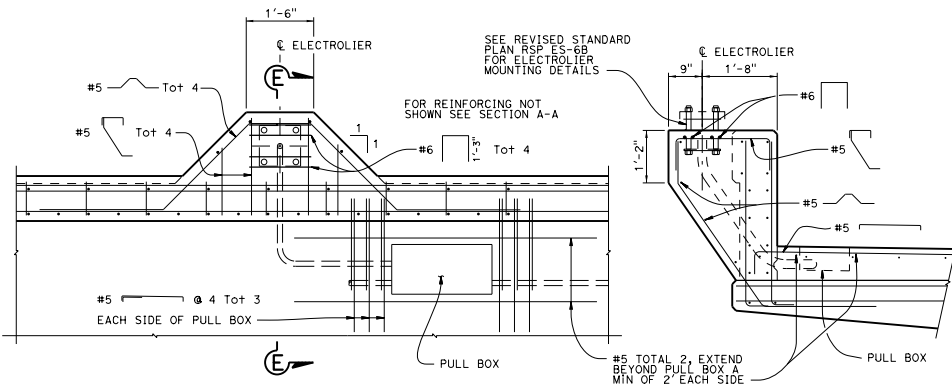
January 20, 2017  
PLANS APPROVAL DATE

THE STATE OF CALIFORNIA OR ITS OFFICERS  
OR AGENTS SHALL NOT BE RESPONSIBLE FOR  
THE ACCURACY OR COMPLETENESS OF SCANNED  
COPIES OF THIS PLAN SHEET.

TO ACCOMPANY PLANS DATED \_\_\_\_\_



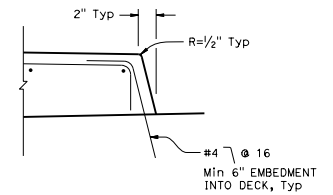
**UTILITY DUCT  
EXPANSION JOINT**



**PEDESTAL PLAN**

**PEDESTAL DETAILS**

**SECTION E-E**



**TYPICAL CURB DETAIL**

STATE OF CALIFORNIA  
DEPARTMENT OF TRANSPORTATION  
**CONCRETE BARRIER  
TYPE 732SW  
(SHEET 2 OF 2)**

NO SCALE

RSP B11-59 DATED JANUARY 20, 2017 SUPPLEMENTS THE STANDARD PLANS BOOK DATED 2010.

**REVISED STANDARD PLAN RSP B11-59**

2010 REVISED STANDARD PLAN RSP B11-59