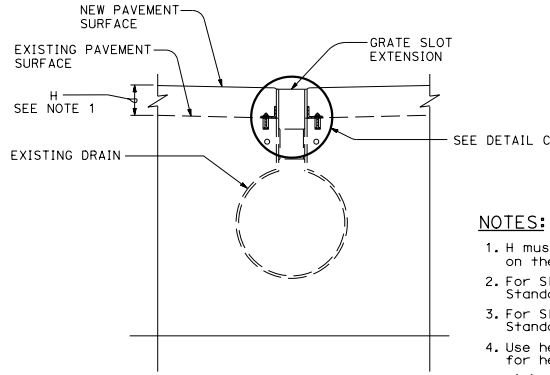


SECTION RECTANGULAR SPACER SECTION TAPERED SPACER

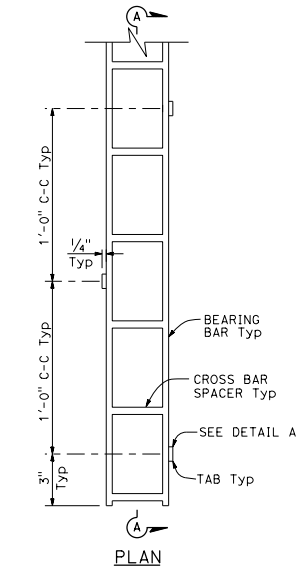
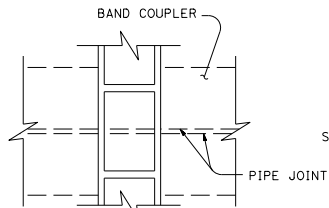
SLOTTED CORRUGATED STEEL PIPE

Grate slot extension



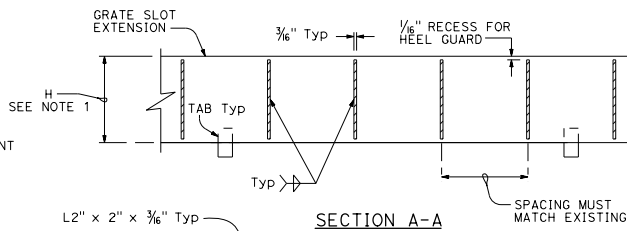
SECTION SLOTTED PLASTIC PIPE

Grate slot extension

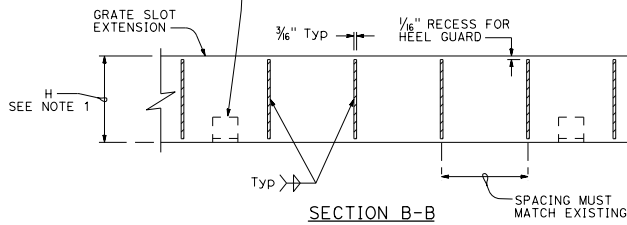


SLOTTED CORRUGATED STEEL PIPE

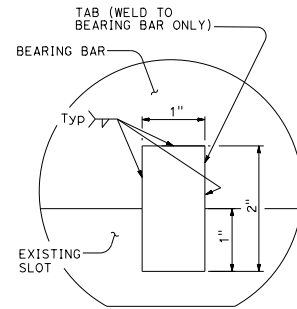
Grate slot extension



SECTION A-A

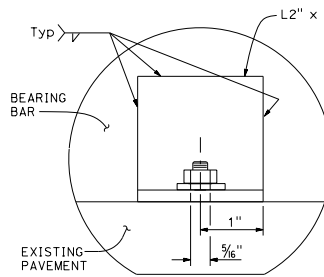


SECTION B-B



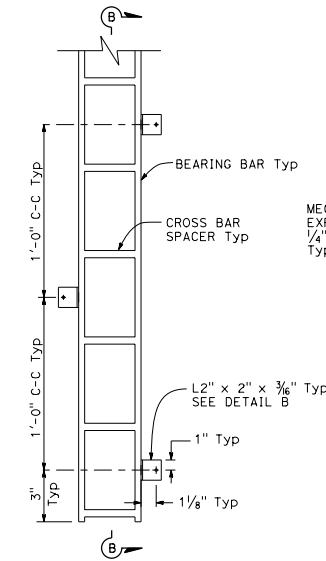
DETAIL A

Tab alignment



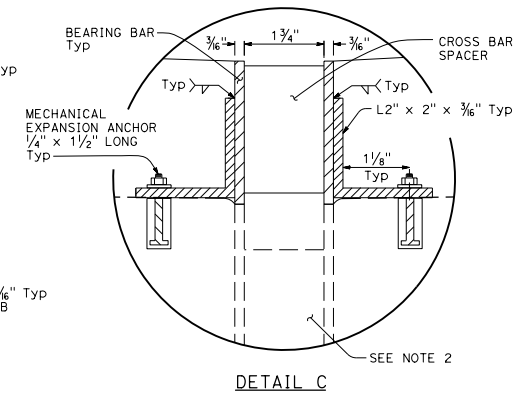
DETAIL B

Angle alignment



PLAN SLOTTED PLASTIC PIPE

Grate slot extension



DETAIL C

SLOTTED PIPE GRATE EXTENSION DETAILS

NO SCALE

RSP D98F DATED JANUARY 20, 2017 SUPERSEDES RSP D98F DATED OCTOBER 30, 2015 AND RSP D98F DATED JULY 19, 2013 THAT SUPPLEMENTS THE STANDARD PLANS BOOK DATED 2010.

REVISED STANDARD PLAN RSP D98F

| DIST | COUNTY | ROUTE | POST MILES TOTAL PROJECT | SHEET NO. | TOTAL SHEETS |
|------|--------|-------|--------------------------|-----------|--------------|
| | | | | | |

Raymond Don Isztou
 REGISTERED CIVIL ENGINEER
 January 20, 2017
 PLANS APPROVAL DATE
 THE STATE OF CALIFORNIA OR ITS OFFICERS OR AGENTS SHALL NOT BE RESPONSIBLE FOR THE ACCURACY OR COMPLETENESS OF SCANNED COPIES OF THIS PLAN SHEET.

TO ACCOMPANY PLANS DATED _____

NOTES:

- H must be a minimum of 2 1/2", or otherwise shown on the plans.
- For Slotted Plastic Pipe Drain Details, see Revised Standard Plan RSP D98D.
- For Slotted Corrugated Steel Pipe Drain Details, see Standard Plans D98A and D98B.
- Use heel guard when shown. See Standard Plan D98B for heel guard details.
- Minimum grate slot extension length is 80".
- The top corners of the grate slot extension's bearing bars must not vary from a straight line more than 1/2" in 20'-0".
- Cross bar spacers must be welded to the grate slot extension's bearing bars to achieve a minimum tensile strength of 12,000 LB normal to the longitudinal axis of the bearing bars.

2010 REVISED STANDARD PLAN RSP D98F