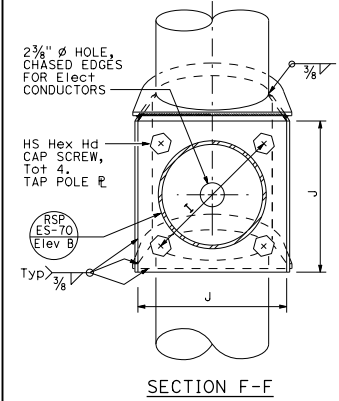
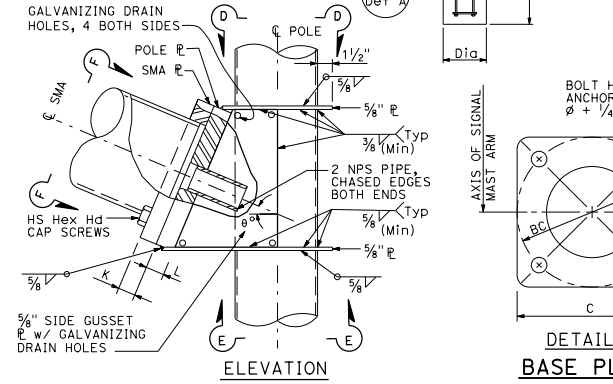


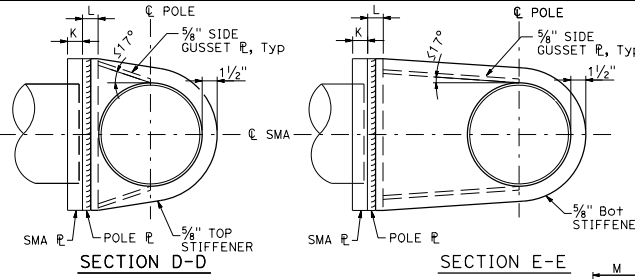
TYPE 60-5-100
ELEVATION A



SECTION F-F

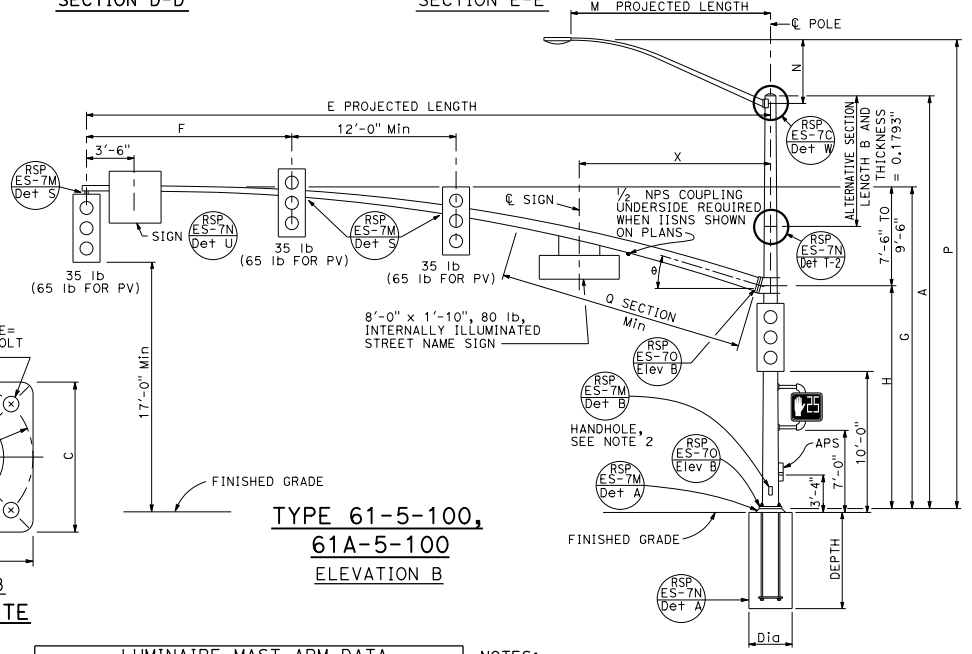


DETAIL B
BASE PLATE



SECTION D-D

SECTION E-E



TYPE 61-5-100,
61A-5-100
ELEVATION B

LUMINAIRE MAST ARM DATA									
M PROJECTED LENGTH	N RISE	Min OD AT POLE	THICKNESS	P MOUNTING HEIGHT	POLE	POLE	POLE	POLE	POLE
6'-0"	2'-0"±	3/4"	0.1196"	30'-0"	35'-0"	31'-6"±	36'-6"±	32'-0"±	37'-0"±
8'-0"	2'-6"±	3/2"	0.1196"	32'-0"±	37'-0"±	32'-9"±	37'-9"±	33'-9"±	38'-9"±
10'-0"	3'-3"±	3 3/8"	0.1196"	33'-9"±	38'-9"±	34'-3"±	39'-3"±	34'-3"±	39'-3"±
12'-0"	4'-3"±	4"	0.1196"	34'-3"±	39'-3"±				
15'-0"	4'-9"±	4 1/4"	0.1196"						

- NOTES:
- The radial separation between the face of the pole and the adjacent insides of the top and bottom gusset plates shall not exceed 3/16". Fillet weld size to be increased by amount of gap.
 - Handhole shall be located on the downstream side of traffic.

STATE OF CALIFORNIA
DEPARTMENT OF TRANSPORTATION

ELECTRICAL SYSTEMS
(SIGNAL AND LIGHTING STANDARD,
CASE 5 SIGNAL MAST ARM LOADING,
WIND VELOCITY=100 MPH AND SIGNAL
MAST ARM LENGTHS 60' TO 65')
NO SCALE

RSP ES-7H DATED JANUARY 20, 2017 SUPERSEDES RSP ES-7H DATED JULY 15, 2016 AND RSP ES-7H DATED OCTOBER 30, 2015 AND RSP ES-7H DATED JULY 19, 2013 AND STANDARD PLAN ES-7H DATED MAY 20, 2011 - PAGE 469 OF THE STANDARD PLANS BOOK DATED 2010.

REVISED STANDARD PLAN RSP ES-7H

SIGNAL MAST ARM DATA													
E PROJECTED LENGTH	F Min SPACING	G MOUNTING HEIGHT	H	Min OD AT POLE	THICKNESS	I BOLT CIRCLE	HS CAP SCREWS	J PLATE SIZE	K MAST ARM THICKNESS	L POLE THICKNESS	Q SECTION LENGTH THICKNESS	X Max	
60'-0"	15'-0"	23'-7" TO 25'-7"	16'-0"	1'-1 1/2"	0.1793" / 0.2391"	20"	1 1/2"-6NC-4"	2'-0"	2"	2"	24'-0" / 29'-0"	0.2391" / 0.3125"	14'-0"

POLE DATA				BASE PLATE DATA				LUMINAIRE MAST ARM		SIGNAL MAST ARM		CIDH PILE FOUNDATION			
POLE TYPE	LOAD CASE	WIND VELOCITY (mph)	A HEIGHT	Min OD BASE	Min OD TOP	THICKNESS	ALTERNATIVE SECTION B LENGTH BOTTOM TOP	C	BC BOLT CIRCLE	THICKNESS	ANCHOR BOLT SIZE	LUMINAIRE MAST ARM	SIGNAL MAST ARM	Di	DEPTH
60-5-100	5	100	17'-0"	22"	19 3/4"	0.375"		2'-6"	2'-4"	3"	2 1/4"Ø x 42"	NONE	60'-0"	4'-0"	14'-0"
61-5-100			30'-0"	25"	20 3/4"		10'-0"	22 1/8"	20 3/4"	3"	3"Ø x 60"	6'-15'	[65'-0"]	4'-6"	15'-0"
61A-5-100			35'-0"		20"		15'-0"		2'-11"	2'-9"					

□ INDICATES MAST ARM LENGTH TO BE USED UNLESS OTHERWISE NOTED ON PLANS.

2010 REVISED STANDARD PLAN RSP ES-7H

Dist	COUNTY	ROUTE	POST MILES TOTAL PROJECT	SHEET TOTAL SHEETS

Stanley P. Johnson
REGISTERED CIVIL ENGINEER
No. C61793
Exp. 3-31-18
CIVIL
STATE OF CALIFORNIA

January 20, 2017
PLANS APPROVAL DATE
THE STATE OF CALIFORNIA OR ITS OFFICERS OR AGENTS SHALL NOT BE RESPONSIBLE FOR THE ACCURACY OR COMPLETENESS OF SCANNED COPIES OF THIS PLAN SHEET.

TO ACCOMPANY PLANS DATED _____