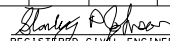
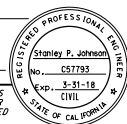
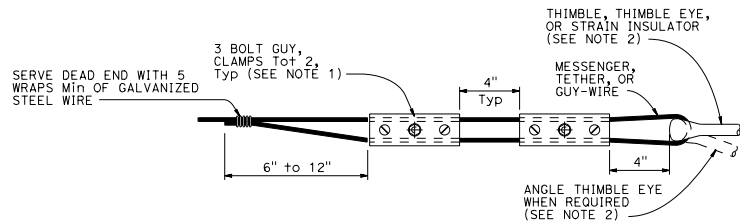


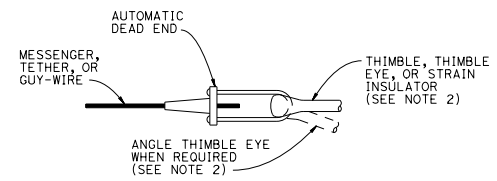
DIST	COUNTY	ROUTE	POST MILES TOTAL PROJECT	SHEET NO.	TOTAL SHEETS

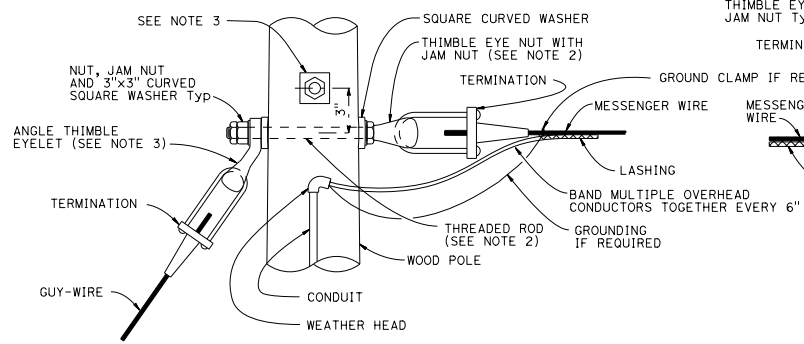
 REGISTERED CIVIL ENGINEER		
January 20, 2017 PLANS APPROVAL DATE		
THE STATE OF CALIFORNIA OR ITS OFFICERS OR AGENTS SHALL NOT BE RESPONSIBLE FOR THE ACCURACY OR COMPLETENESS OF SCANNED COPIES OF THIS PLAN SHEET.		



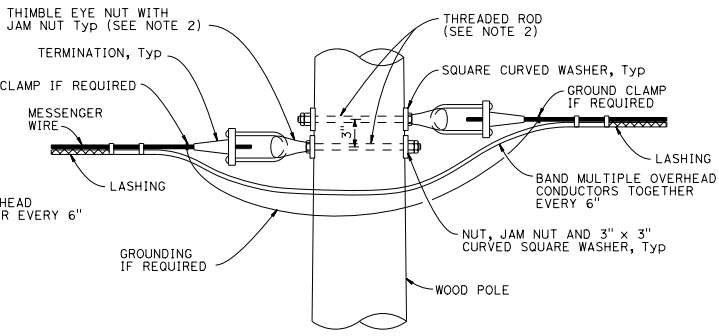
**ALTERNATIVE TERMINATION OF MESSENGER WIRES USING GUY CLAMPS**



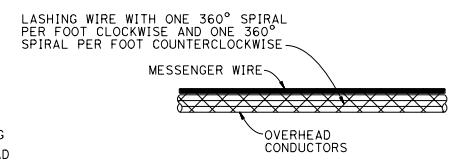
**TERMINATION OF WIRES USING AUTOMATIC DEAD END**



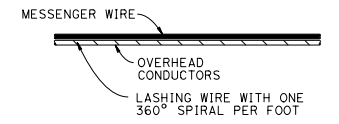
**POLE AT DEAD END WITH GUY-WIRE CONNECTION**



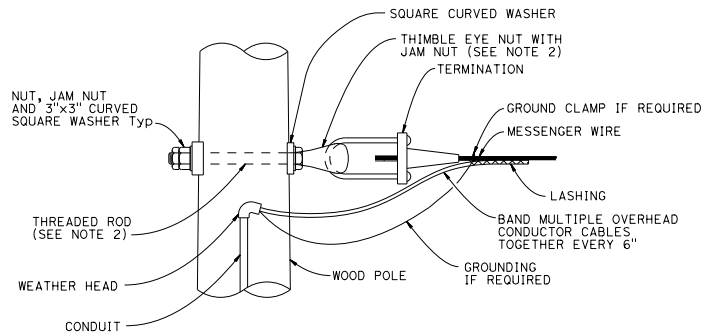
**POLE AT TANGENT OR CORNER CONNECTION**



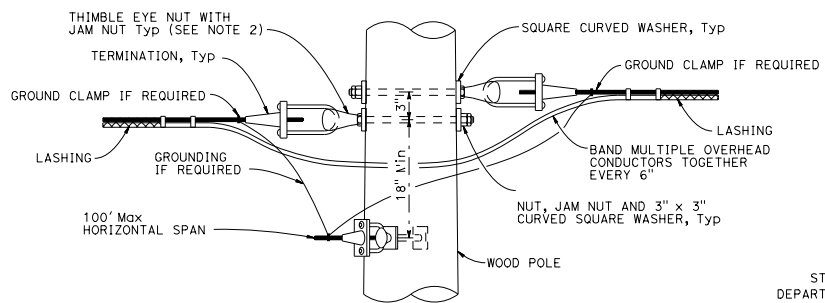
**DOUBLE LASHING DETAIL**  
USE IF  $d_o$  IS GREATER THAN  $1/2$ "



**TYPICAL LASHING DETAIL**  
USE IF  $d_o$  IS  $1/2$ " OR LESS



**POLE AT DEAD END CONNECTION**



**POLE AT JUNCTION CONNECTION**

- NOTES:**
- For guy wires use 3 clamps.
  - Use  $5/8$ "  $\phi$  except  $3/4$ "  $\phi$  at guyed wires
  - Install additional angle thimble eyelet at poles with two guy wires.

STATE OF CALIFORNIA  
DEPARTMENT OF TRANSPORTATION  
**TEMPORARY WOOD POLES  
DETAILS No. 1**  
NO SCALE

RSP ES-19A DATED JANUARY 20, 2017 SUPPLEMENTS THE STANDARD PLANS BOOK DATED 2010.

**REVISED STANDARD PLAN RSP ES-19A**

2010 REVISED STANDARD PLAN RSP ES-19A