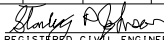

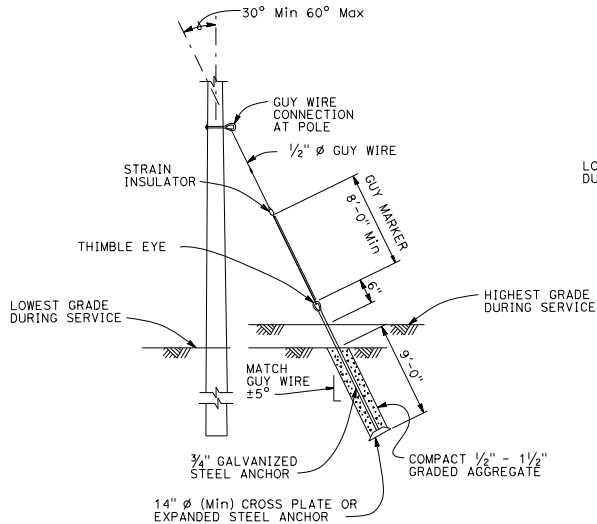


DIST	COUNTY	ROUTE	POST MILES TOTAL PROJECT	SHEET NO.	TOTAL SHEETS
 REGISTERED CIVIL ENGINEER					
January 20, 2017 PLANS APPROVAL DATE					
					
THE STATE OF CALIFORNIA OR ITS OFFICERS OR AGENTS SHALL NOT BE RESPONSIBLE FOR THE ACCURACY OR COMPLETENESS OF SCANNED COPIES OF THIS PLAN SHEET.					

TO ACCOMPANY PLANS DATED _____

NOTE:

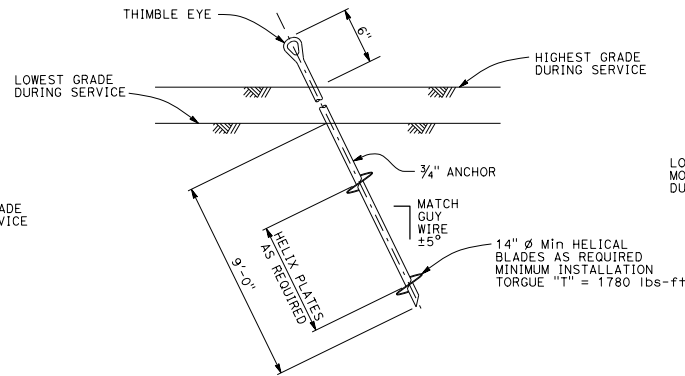
- For minimum allowable tension capacity of anchors see "Temporary Wood Poles - General Notes" sheet.



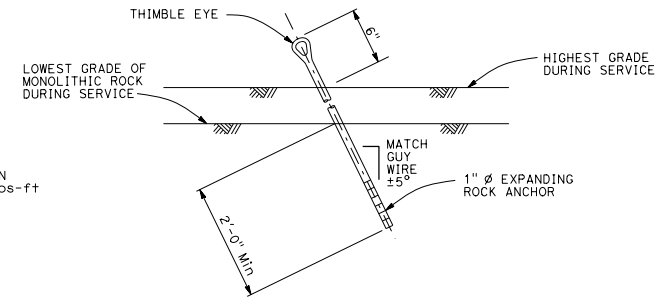
NOTE:

Helical anchor detail may be used in place of expanded steel anchors.

EXPANDED STEEL ANCHOR DETAIL



HELICAL ANCHOR DETAIL



EXPANDING ROCK ANCHOR DETAIL

STATE OF CALIFORNIA
DEPARTMENT OF TRANSPORTATION

**TEMPORARY WOOD POLES
DETAILS No. 2**

NO SCALE

RSP ES-19B DATED JANUARY 20, 2017 SUPPLEMENTS THE STANDARD PLANS BOOK DATED 2010.

REVISED STANDARD PLAN RSP ES-19B

2010 REVISED STANDARD PLAN RSP ES-19B