

ELEVATION

DETAIL A
TIE-ROD AT LUMINAIRE ARM

SECTION A-A

NOTES:

1. Luminaire mast arms must be in compliance with Standard Plan ES-6D with noted modifications.
2. Verify pole dimensions at tie-rod attachment height. Fabricate 8" flat bar with "L" dimension to maintain an open gap between flanges in finished installation.
3. Not all screw heads and bolt heads are shown for clarity.
4. Mast arm not shown for clarity.

Dist	COUNTY	ROUTE	POST MILES TOTAL PROJECT	SHEET NO.	TOTAL SHEETS

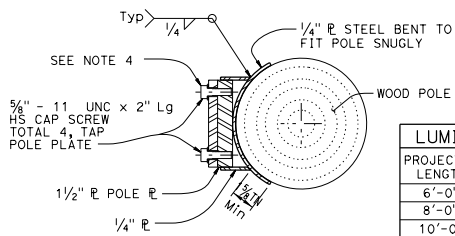
Stanley P. Johnson
 REGISTERED CIVIL ENGINEER
 No. CS7935
 Exp. 3-31-18
 CIVIL
 STATE OF CALIFORNIA

January 20, 2017
 PLANS APPROVAL DATE
 THE STATE OF CALIFORNIA OR ITS OFFICERS OR AGENTS SHALL NOT BE RESPONSIBLE FOR THE ACCURACY OR COMPLETENESS OF SCANNED COPIES OF THIS PLAN SHEET.

TO ACCOMPANY PLANS DATED _____

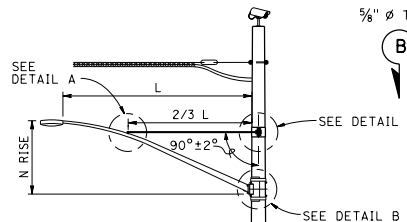
NOTE:

Not all screw and bolt heads shown for clarity.

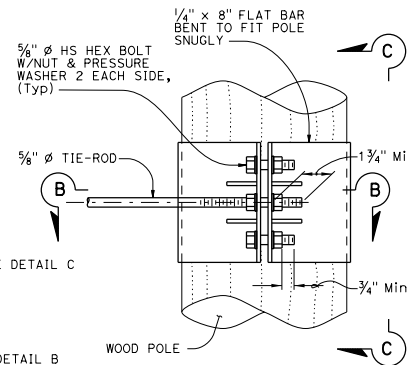


SECTION E-E

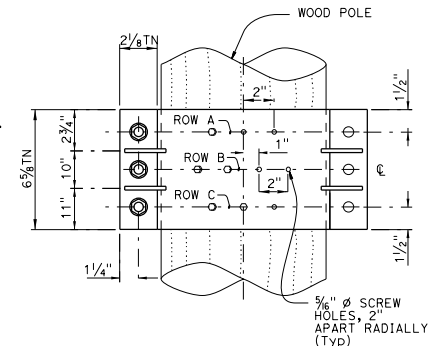
PROJECTED LENGTH	N RISE	MIN OD AT POLE	NOMINAL THICKNESS
6'-0"	2'-0"±	3/4"	0.1196"
8'-0"	2'-6"±	3/2"	
10'-0"	3'-3"±	3 3/4"	
12'-0"	4'-3"±	3 3/4"	



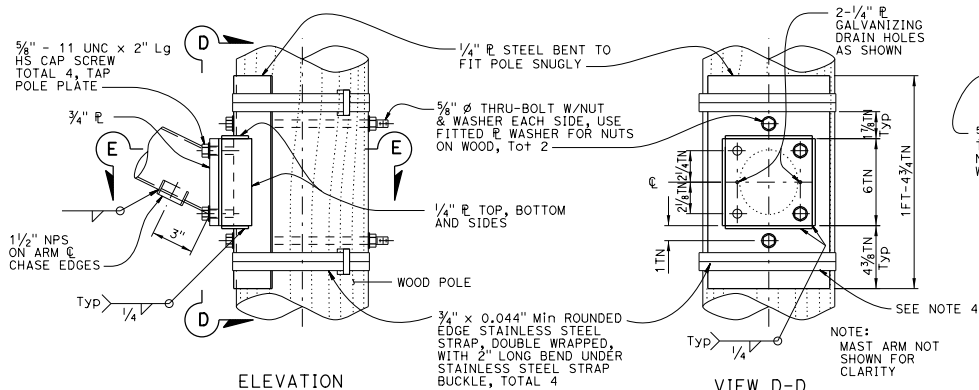
LUMINAIRE MAST ARM



ELEVATION



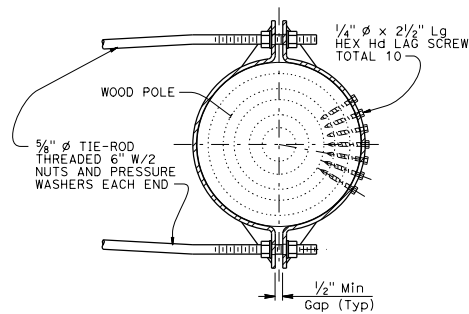
VIEW C-C



ELEVATION

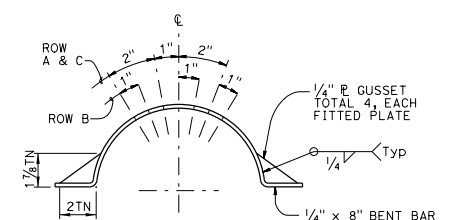
DETAIL B
ARM CONNECTION DETAILS

VIEW D-D



SECTION B-B

DETAIL C
TIE-ROD AT POLE



LAG SCREW AND GUSSET PLATE LAYOUT

STATE OF CALIFORNIA
 DEPARTMENT OF TRANSPORTATION
**TEMPORARY WOOD POLES
 DETAILS No. 3**
 NO SCALE

RSP ES-19C DATED JANUARY 20, 2017 SUPPLEMENTS THE STANDARD PLANS BOOK DATED 2010.

REVISED STANDARD PLAN RSP ES-19C

2010 REVISED STANDARD PLAN RSP ES-19C