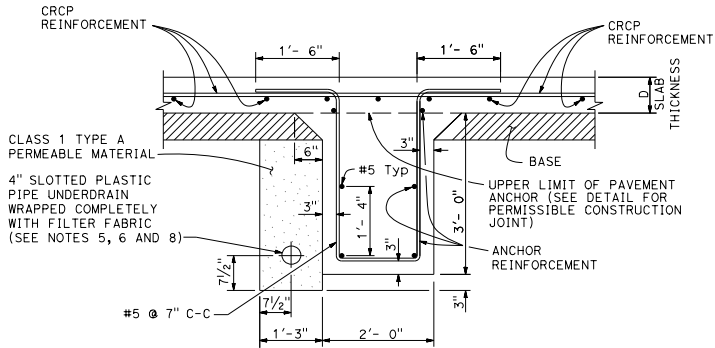
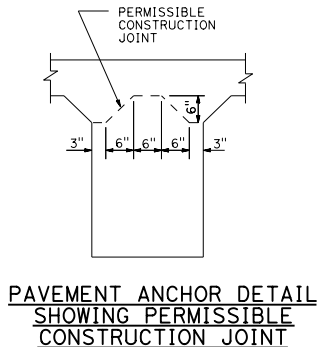


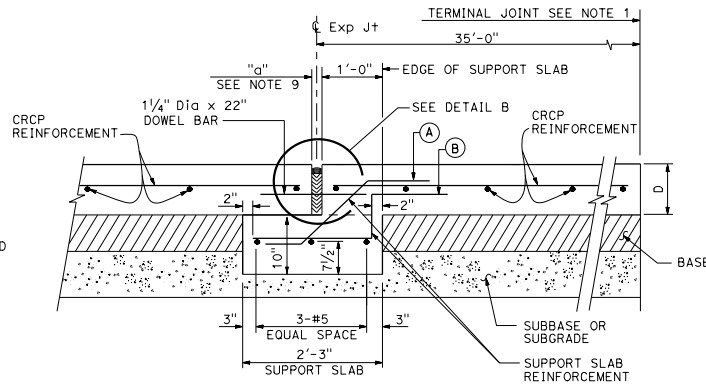
PAVEMENT ANCHOR PROFILE



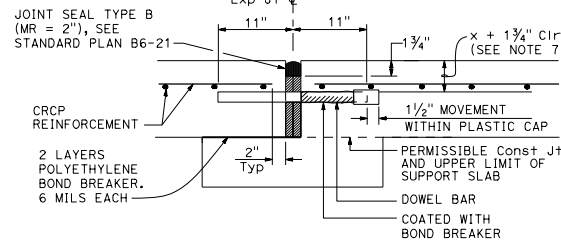
PAVEMENT ANCHOR



**PAVEMENT ANCHOR DETAIL
SHOWING PERMISSIBLE
CONSTRUCTION JOINT**

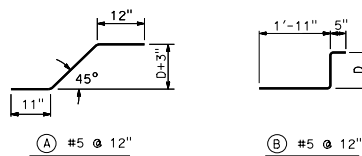


EXPANSION JOINT TYPE AN



DETAIL B

(For layout, tolerances, and other details not shown, see Standard Plan P10.)



REINFORCEMENT DETAIL

DIST	COUNTY	ROUTE	POST MILES TOTAL PROJECT	SHEET NO.	TOTAL SHEETS

Flornie E. Baultista
 REGISTERED CIVIL ENGINEER
 No. CS4859
 Exp. 6-30-18
 CIVIL
 STATE OF CALIFORNIA

January 20, 2017
 PLANS APPROVAL DATE
 THE STATE OF CALIFORNIA OR ITS OFFICERS OR AGENTS SHALL NOT BE RESPONSIBLE FOR THE ACCURACY OR COMPLETENESS OF SCANNED COPIES OF THIS PLAN SHEET.

TO ACCOMPANY PLANS DATED _____

NOTES:

1. For the locations of the terminal joints, expansion joints and pavement anchors, see project plans.
2. The CRCP shall continue across the pavement anchor and expansion joints as shown.
3. Details of reinforcement, tie bars, and longitudinal joints (and if necessary, transverse construction joints) are shown on Revised Standard Plan RSP P4.
4. Transverse construction joints are not allowed within 20'-0" of the pavement anchor.
5. When placing pipe through concrete barrier, use 4" unslotted plastic pipe wrapped completely with 3/8" polystyrene.
6. See Standard Plan D99B for details not shown.
7. See Revised Standard Plan RSP P4 for "x".
8. D = thickness of CRCP
9. Place the 4" Slotted Plastic Pipe on the high side of the longitudinal grade.
10. See Standard Plan B6-21 for "a".

STATE OF CALIFORNIA
DEPARTMENT OF TRANSPORTATION

**CONTINUOUSLY REINFORCED
CONCRETE PAVEMENT-
EXPANSION JOINT AND ANCHOR DETAILS**

NO SCALE

RSP P31B DATED JANUARY 20, 2017 SUPERSEDES RSP P31B DATED APRIL 20, 2012 AND STANDARD PLAN P31B DATED MAY 20, 2011 - PAGE 139 OF THE STANDARD PLANS BOOK DATED 2010.

REVISED STANDARD PLAN RSP P31B

2010 REVISED STANDARD PLAN RSP P31B