

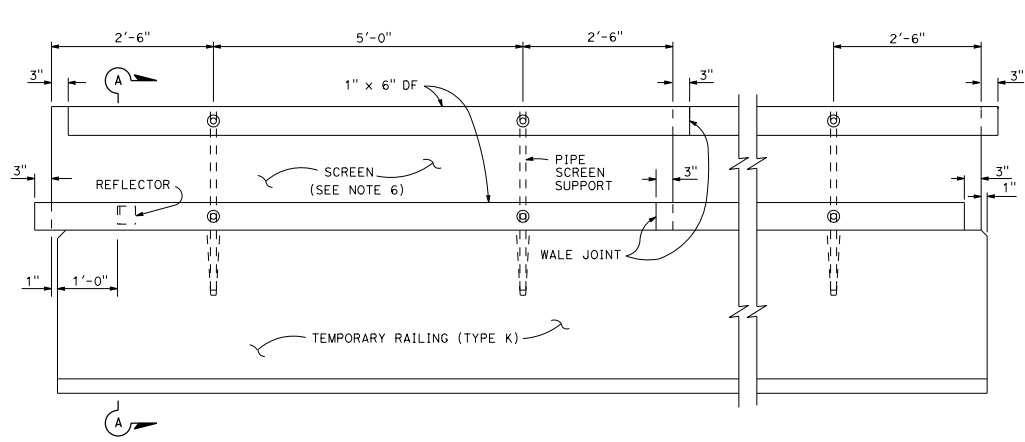
DIST	COUNTY	ROUTE	POST MILES TOTAL PROJECT	SHEET NO.	TOTAL SHEETS

**Randell D. Hiatt**  
REGISTERED CIVIL ENGINEER

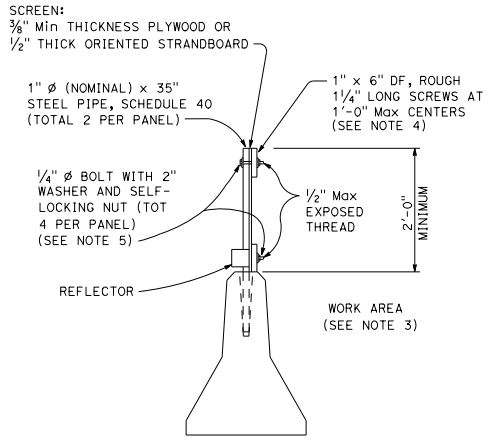
January 20, 2017  
PLANS APPROVAL DATE

THE STATE OF CALIFORNIA OR ITS OFFICERS OR AGENTS SHALL NOT BE RESPONSIBLE FOR THE ACCURACY OR COMPLETENESS OF SCANNED COPIES OF THIS PLAN SHEET.

NO. C50200  
EXP. 6-30-17  
CIVIL  
STATE OF CALIFORNIA



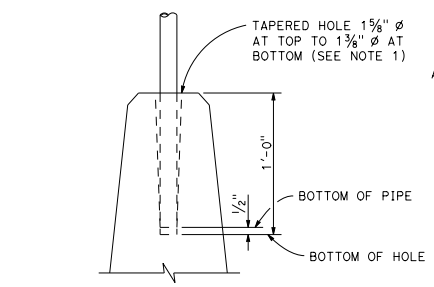
ELEVATION



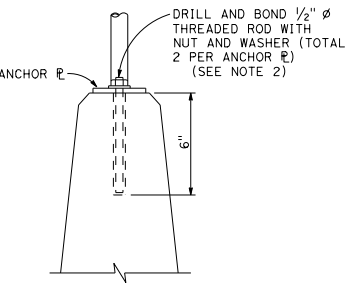
SECTION A-A

TO ACCOMPANY PLANS DATED \_\_\_\_\_

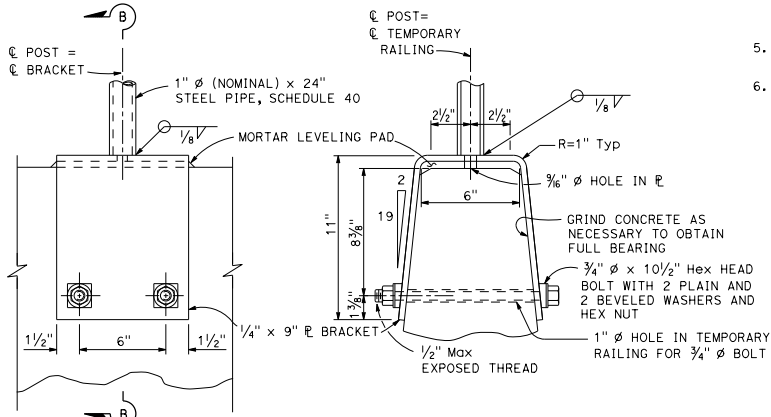
- NOTES:**
1. Straight holes 1/2"  $\phi$  of the depth shown may be used in lieu of the tapered holes.
  2. Resin capsule-type anchorage devices may be substituted for threaded rods.
  3. Place screen on work area side of the temporary railing where traffic will only be on one side of the temporary railing.
  4. Clinched 8d box nails may be substituted for screws. The nails shall be clinched on the work area side of the screen where traffic will only be on one side of the temporary railing.
  5. U-bolts may be substituted for 1/4"  $\phi$  bolts.
  6. Openings in the screen of 3'-0" length shall be provided at 200' intervals.



SCREEN ANCHORAGE DETAIL



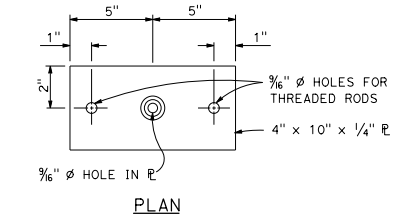
SCREEN ANCHORAGE DETAIL ALTERNATIVE "A"



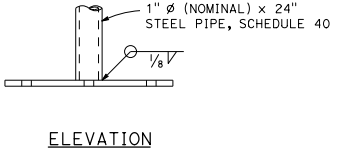
ELEVATION

SECTION B-B

SCREEN ANCHORAGE DETAIL ALTERNATIVE "B"



ANCHOR PLATE DETAIL ALTERNATIVE "A"



ELEVATION

STATE OF CALIFORNIA  
DEPARTMENT OF TRANSPORTATION  
**TEMPORARY TRAFFIC SCREEN**

NO SCALE

RSP T4 DATED JANUARY 20, 2017 SUPERSEDES STANDARD PLAN T4 DATED MAY 20, 2011 - PAGE 235 OF THE STANDARD PLANS BOOK DATED 2010.

**REVISED STANDARD PLANS RSP T4**

2010 REVISED STANDARD PLAN RSP T4