

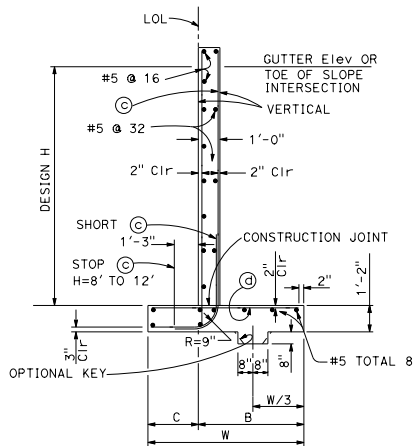
Dist	COUNTY	ROUTE	POST MILES TOTAL PROJECT	SHEET No.	TOTAL SHEETS

Gary Wong
REGISTERED CIVIL ENGINEER

May 20, 2011
PLANS APPROVAL DATE

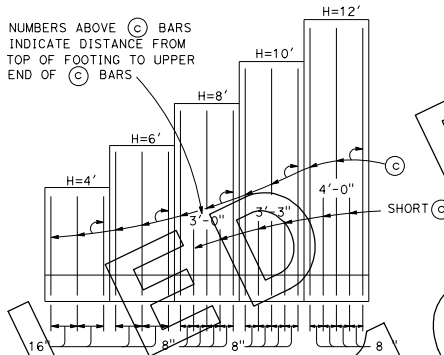
Gary Wong
REGISTERED PROFESSIONAL ENGINEER
No. C58238
Exp. 6-30-12
CIVIL
STATE OF CALIFORNIA

THE STATE OF CALIFORNIA OR ITS OFFICERS OR AGENTS SHALL NOT BE RESPONSIBLE FOR THE ACCURACY OR COMPLETENESS OF SCANNED COPIES OF THIS PLAN SHEET.



SPREAD FOOTING SECTION

Place concrete in toe, against undisturbed material, except as permitted by the Engineer.



ELEVATION

DESIGN CONDITIONS:

Design H may be exceeded by 6" before going to the next size. Special footing design is required where foundation material is incapable of supporting bearing stress listed in table.

DESIGN NOTES:

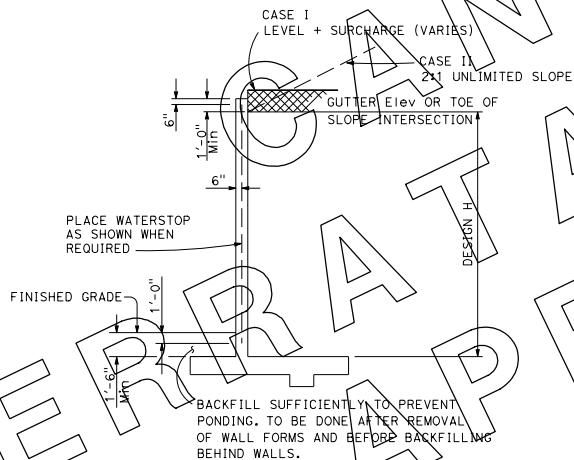
- DESIGN: AASHTO LRFD Bridge Design Specifications, 4th edition with California Amendments
- LIVE LOAD: Surcharge on level ground surface
- SOIL: $\phi = 34^\circ$
 $\gamma = 120 \text{ pcf}$
- REINFORCED CONCRETE: $f_y = 60,000 \text{ psi}$
 $f_c' = 3,600 \text{ psi}$
 $n = 8$

NOTES:

- For details not shown and drainage notes see (B3-5)
- For wall stem joint details see (B0-3/3-3) and (B0-3/3-4)
- At @ and Short @ bars:
H < 6', no splices are allowed within 1'-8" above the top of footing.
H > 6', no splices are allowed within H/4 above the top of footing.

SYMBOLS:

- Ser - service limit state 1
Str - strength limit state 1
B' - effective footing width (ft)
q₀ - net bearing stress (ksf)
q_o - gross uniform bearing stress (ksf)



DESIGN SECTION

DESIGN H	4'	6'	8'	10'	12'	
W	4'-9"	5'-9"	6'-6"	7'-6"	8'-6"	
C	1'-5"	2'-0"	2'-0"	2'-4"	2'-6"	
B	3'-4"	3'-9"	4'-6"	5'-2"	6'-0"	
@ BARS	#5 @ 16	#5 @ 16	#5 @ 8	#6 @ 8	#8 @ 8	
SHORT @ BARS	#5 @ 16	#5 @ 16	#6 @ 16	#5 @ 8	#6 @ 8	
LOAD CASE I	Ser: B', q ₀	4.4, 0.7	5.2, 0.9	5.5, 1.2	6.2, 1.4	7.0, 1.6
	Str: B', q _o	4.4, 1.5	5.0, 1.7	5.2, 2.1	5.9, 2.4	6.6, 2.7
LOAD CASE II	Ser: B', q ₀	4.8, 0.5	5.8, 0.7	6.2, 1.0	7.0, 1.3	7.7, 1.7
	Str: B', q _o	4.7, 1.0	5.7, 1.3	6.1, 1.8	6.8, 2.2	7.5, 2.7

STATE OF CALIFORNIA
DEPARTMENT OF TRANSPORTATION
**RETAINING WALL
TYPE 1A**

NO SCALE

B3-3

2010 STANDARD PLAN B3-3