

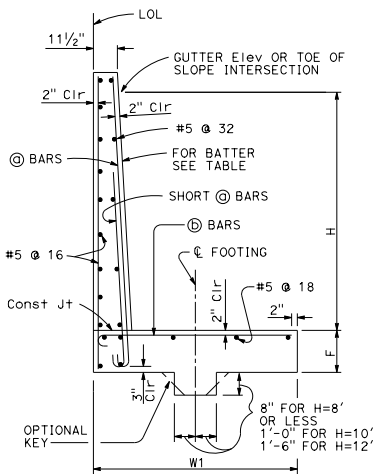
Dist	COUNTY	ROUTE	POST MILES TOTAL PROJECT	SHEET No.	TOTAL SHEETS

Gary Wong
REGISTERED CIVIL ENGINEER

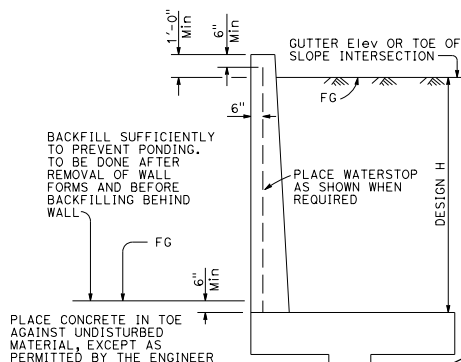
May 20, 2011
PLANS APPROVAL DATE

Exp. 6-30-12
CIVIL

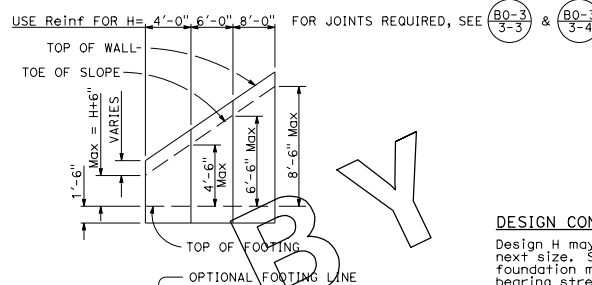
THE STATE OF CALIFORNIA OR ITS OFFICERS OR AGENTS SHALL NOT BE RESPONSIBLE FOR THE ACCURACY OR COMPLETENESS OF SCANNED COPIES OF THIS PLAN SHEET.



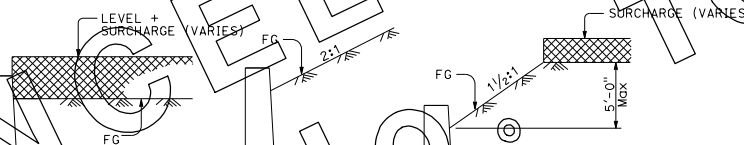
SPREAD FOOTING SECTION



DESIGN SECTION



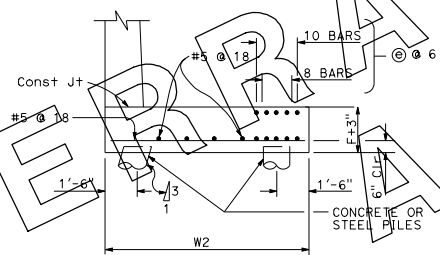
TYPICAL LAYOUT EXAMPLE



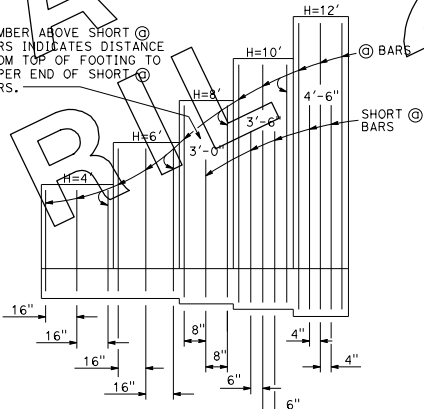
DETAIL OF DESIGN LOADING CASES

DESIGN H	FRONT ROW	BACK ROW
4'	15'-0"	18'-0"
6'	10'-0"	16'-0"
8'	6'-0"	14'-0"
10'	5'-0"	12'-0"
12'	4'-0"	8'-0"

For actual spacing, see Wall Layout. Pile Layout does not apply to case III conditions.



90 KIP PILE FOOTING SECTION



ELEVATION

DESIGN CONDITIONS:

Design H may be exceeded by 6' before going to the next size. Special footing design is required where foundation material is incapable of supporting bearing stress listed in table.

DESIGN NOTES:

DESIGN: AASHTO LRFD Bridge Design Specifications, 4th edition with California Amendments

LIVE LOAD: Surcharge on level ground surface

SOIL: $\phi = 34^\circ$
 $\gamma = 120$ pcf
REINFORCED CONCRETE: $f_y = 60,000$ psi
 $f_c = 3,600$ psi
 $\mu = 8$

NOTES:

- For details not shown and drainage notes see (B3-5)
- For wall stem joint details see (B0-3/3-3) and (B0-3/3-4)
- At @ and Short @ bars:
 $H \leq 6'$, no splices are allowed within 1'-8" above the top of footing.
 $H > 6'$, no splices are allowed within H/4 above the top of footing.

SYMBOLS:

- Ser - service limit state 1
- Str - strength limit state 1
- B' - effective footing width (ft)
- q_0 - net bearing stress (ksf)
- q_0 - gross uniform bearing stress (ksf)

DESIGN H	4'	6'	8'	10'	12'	
W1	5'-9"	6'-9"	10'-3"	11'-0"	12'-6"	
W2	6'-0"	6'-9"	8'-0"	8'-6"	9'-6"	
F SPREAD FOOTING	1'-6"	1'-6"	1'-6"	1'-6"	1'-10"	
BATTER	NONE	NONE	100:2	100:3	100:6	
@ BARS	#5 @ 16	#5 @ 16	#5 @ 16	#5 @ 12	#5 @ 8	
SHORT @ BARS	None	None	#5 @ 16	#5 @ 12	#5 @ 8	
Ⓢ BARS	#5 @ 16	#5 @ 8	#6 @ 8	#6 @ 6	#6 @ 4	
TOTAL @ BARS	8 - #8	8 - #8	10 - #8	10 - #7	8 - #6	
LOAD CASE I	Ser: B', q_0	5.0, 1.2	5.5, 1.5	9.0, 1.6	9.4, 1.9	10.5, 2.2
	Str: B', q_0	5.0, 2.2	5.4, 2.6	8.9, 2.7	9.2, 3.1	10.4, 3.5
LOAD CASE II	Ser: B', q_0	5.3, 0.9	5.9, 1.3	9.5, 1.6	9.9, 2.0	11.0, 2.5
	Str: B', q_0	5.3, 1.5	5.9, 2.1	9.5, 2.5	9.8, 3.1	10.9, 3.8
LOAD CASE III	Ser: B', q_0	5.2, 1.0	5.4, 1.5	9.0, 1.7	7.4, 2.4	8.7, 2.7
	Str: B', q_0	4.1, 1.9	4.4, 2.6	7.1, 3.2	7.5, 3.8	8.8, 4.3

STATE OF CALIFORNIA
DEPARTMENT OF TRANSPORTATION
**RETAINING WALL
TYPE 5**

NO SCALE

B3-4