

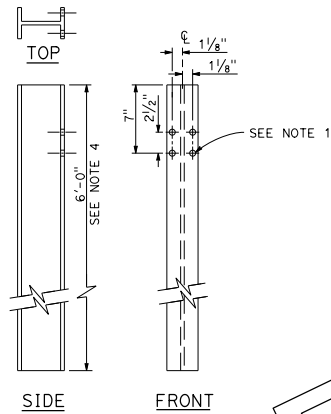
DIST	COUNTY	ROUTE	POST MILES TOTAL PROJECT	SHEET NO.	TOTAL SHEETS

Randell D. Hiatt
REGISTERED CIVIL ENGINEER

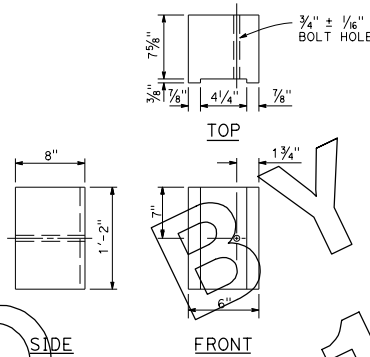
May 20, 2011
PLANS APPROVAL DATE

REGISTERED PROFESSIONAL ENGINEER
Randell D. Hiatt
No. C60200
Exp. 6-30-11
CIVIL
STATE OF CALIFORNIA

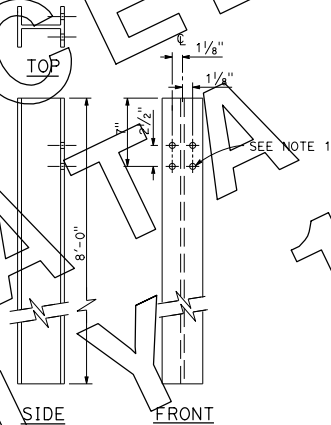
THE STATE OF CALIFORNIA OR ITS OFFICERS OR AGENTS SHALL NOT BE RESPONSIBLE FOR THE ACCURACY OR COMPLETENESS OF SCANNED COPIES OF THIS PLAN SHEET.



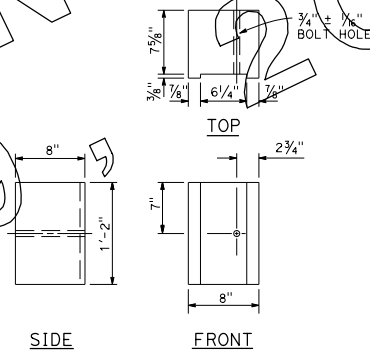
**W6 x 9
STEEL POST**
See Note 4



**6" x 8"
NOTCHED WOOD BLOCK**
See Notes 2 and 3



**W6 x 15
STEEL POST**



**8" x 8"
NOTCHED WOOD BLOCK**
See Notes 2 and 3

NOTES:

1. All holes in steel post shall be 1/8" Dia maximum.
2. Dimensions shown for wood block are nominal.
3. Notched face of block faces steel post.
4. 6'-0" length posts to be used for typical roadway installation. 7'-0" length posts to be used for narrow roadway installation. See Standard Plan A77C3.

STATE OF CALIFORNIA
DEPARTMENT OF TRANSPORTATION
**METAL BEAM GUARD RAILING
STEEL POST AND
NOTCHED WOOD BLOCK DETAILS**

NO SCALE

A77C2