

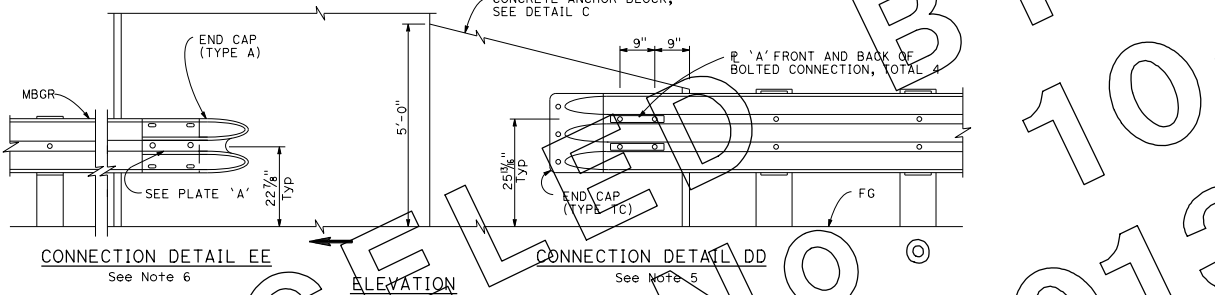
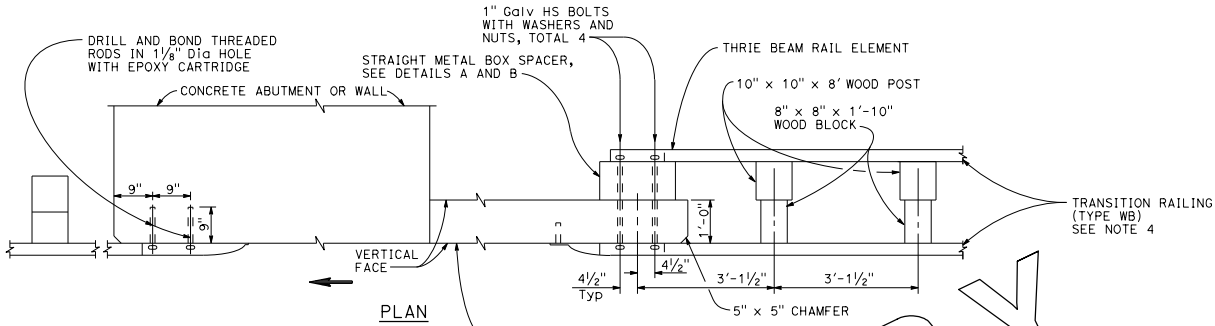
Dist	COUNTY	ROUTE	POST MILES TOTAL PROJECT	SHEET No.	TOTAL SHEETS

Randell D. Hiatt
REGISTERED CIVIL ENGINEER

May 20, 2011
PLANS APPROVAL DATE

THE STATE OF CALIFORNIA OR ITS OFFICERS OR AGENTS SHALL NOT BE RESPONSIBLE FOR THE ACCURACY OR COMPLETENESS OF SCANNED COPIES OF THIS PLAN SHEET.

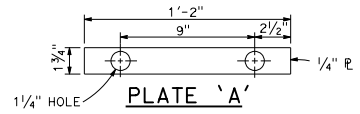
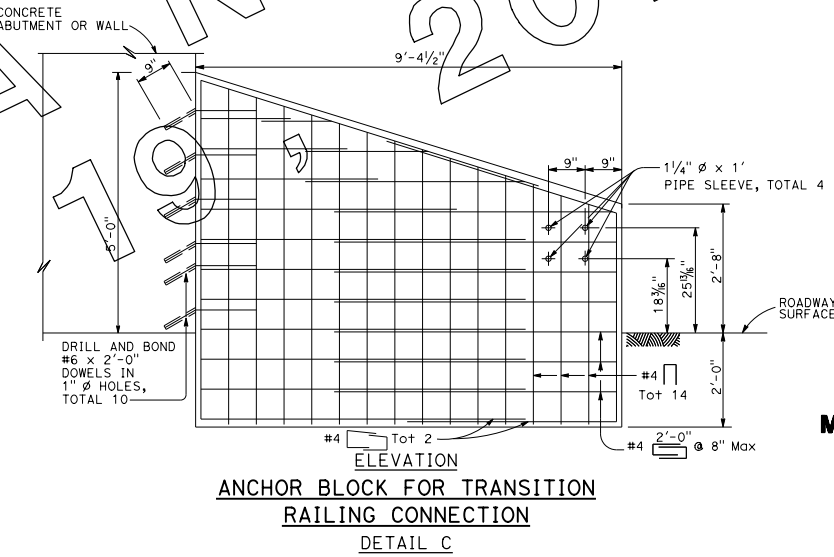
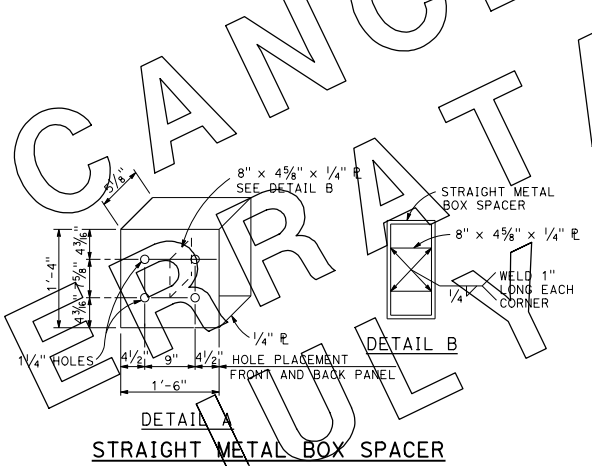
REGISTERED PROFESSIONAL ENGINEER
Randell D. Hiatt
No. C60200
Exp. 6-30-11
CIVIL
STATE OF CALIFORNIA



NOTES:

1. These connection details apply to abutments and walls.
2. Additional details of posts, blocks and hardware are shown on Standard Plans A77B1, A77C1 and A77C2.
3. Direction of adjacent traffic indicated by →.
4. For additional details of Transition Railing (Type WB), see Standard Plan A77J4 Transition Railing (Type WB) transitions the 12 gauge w-beam standard railing section on guard railing to a heavier gauge nested three beam railing section which is connected to the concrete anchor block.
5. For typical use of Connection Details DD, See Layout Types 12A and 12B on Standard Plan A77F1 and Layout Types 12C and 12D on Standard Plan A77F2.
6. For typical use of Connection Detail EE, see Layout Type 12D on Standard Plan A77F2 and Layout Type 12DD on Standard Plan A77F5.

GUARD RAILING CONNECTION TO ABUTMENT OR WALL



STATE OF CALIFORNIA
DEPARTMENT OF TRANSPORTATION
**METAL BEAM GUARD RAILING
CONNECTIONS TO
ABUTMENTS AND WALLS**

NO SCALE

A77J3