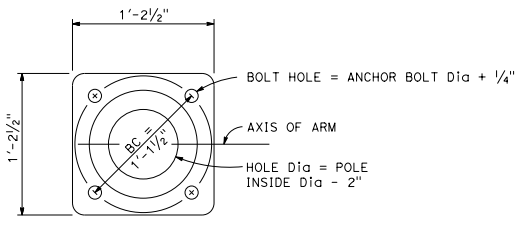


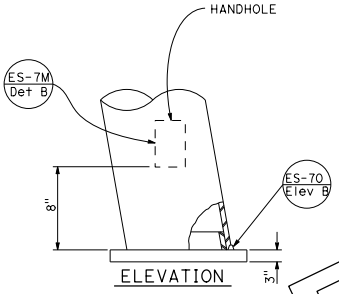
DIST	COUNTY	ROUTE	POST MILES TOTAL PROJECT	SHEET No.	TOTAL SHEETS

*Stanley P. Johnson*  
 REGISTERED CIVIL ENGINEER  
 No. CS7385  
 Exp. 3-31-12  
 CIVIL  
 STATE OF CALIFORNIA

May 20, 2011  
 PLANS APPROVAL DATE  
 THE STATE OF CALIFORNIA OR ITS OFFICERS OR AGENTS SHALL NOT BE RESPONSIBLE FOR THE ACCURACY OR COMPLETENESS OF SCANNED COPIES OF THIS PLAN SHEET.

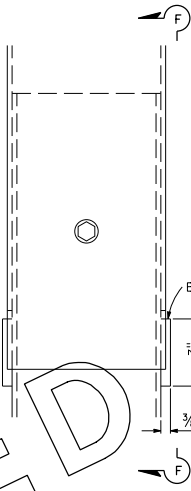


PLAN

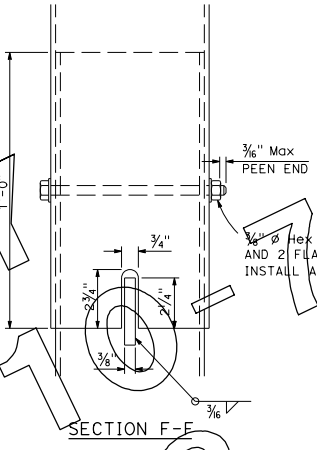


BASE PLATE DETAILS

DETAIL A



FRONT VIEW



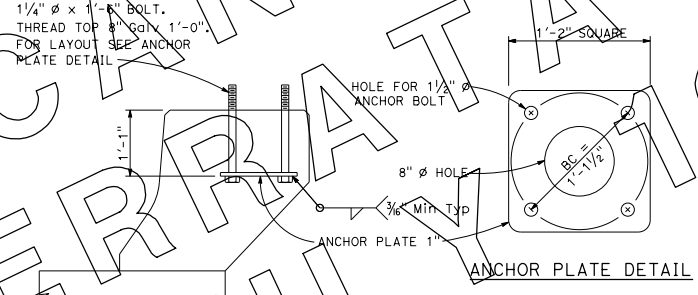
SECTION F-F

JOINT DETAILS

DETAIL B

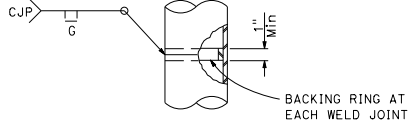
NOTE:

- Alternative slip joint or sleeve joint designs may be submitted with calculations to the Engineer for approval.



TYPE 35 ANCHOR DETAILS

DETAIL C



POLE SPLICE

DETAIL D

STATE OF CALIFORNIA  
 DEPARTMENT OF TRANSPORTATION  
**ELECTRICAL SYSTEMS  
 (LIGHTING STANDARD,  
 TYPES 35 AND 36-20A,  
 10 DEGREE TYPE DETAILS)**

NO SCALE

ES-61

460

2010 STANDARD PLAN ES-61