

**NOTES:**

1. See Revised Standard Plan RSP A77C5 for additional vegetation control details.
2. Where dike is constructed under railing, construct vegetation control to back edge of dike. Where paved shoulder is constructed within 36" in front of the post, construct vegetation control to the edge of paved shoulder.

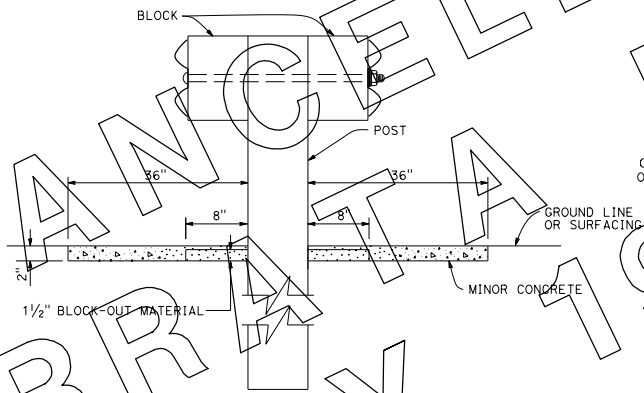
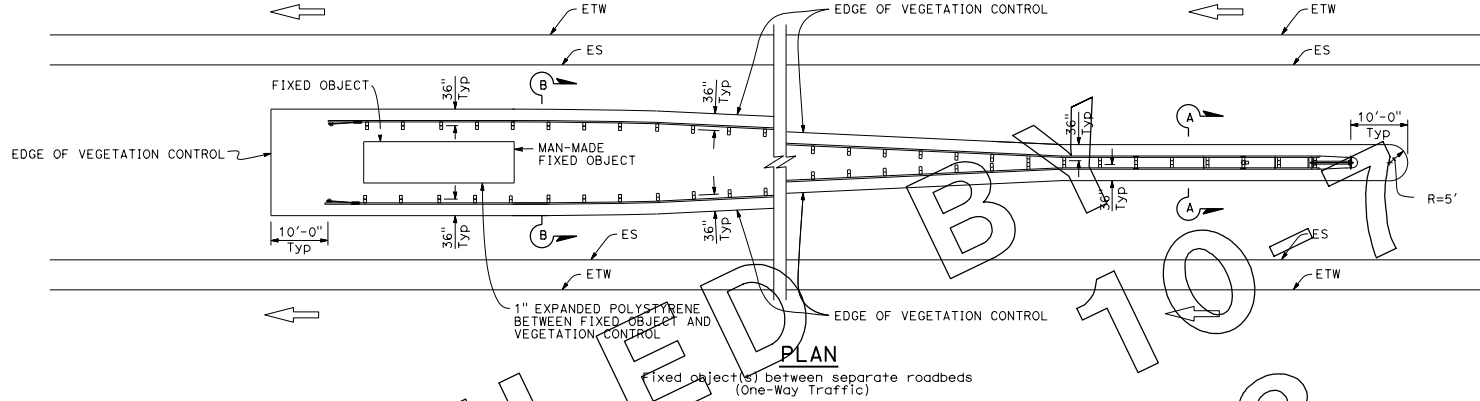
Dist	COUNTY	ROUTE	POST MILES TOTAL PROJECT	SHEET NO.	TOTAL SHEETS

*Randell D. Hiatt*  
REGISTERED CIVIL ENGINEER

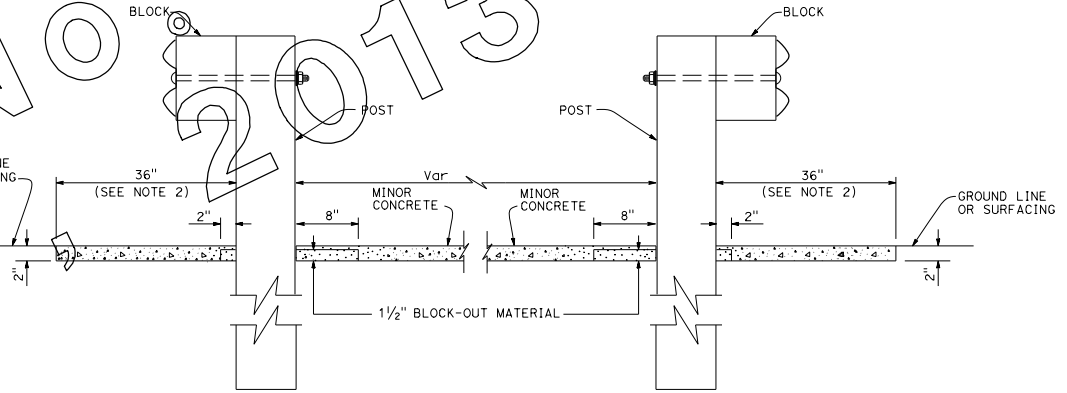
October 19, 2012  
PLANS APPROVAL DATE

*Randell D. Hiatt*  
No. C60200  
Exp. 6-30-13  
CIVIL  
STATE OF CALIFORNIA

THE STATE OF CALIFORNIA OR ITS OFFICERS OR AGENTS SHALL NOT BE RESPONSIBLE FOR THE ACCURACY OR COMPLETENESS OF SCANNED COPIES OF THIS PLAN SHEET.



**SECTION A-A**



**SECTION B-B**

STATE OF CALIFORNIA  
DEPARTMENT OF TRANSPORTATION  
**METAL BEAM GUARD RAILING  
TYPICAL VEGETATION CONTROL  
AT FIXED OBJECT**

NO SCALE  
RSP A77C10 DATED OCTOBER 19, 2012 SUPERSEDES STANDARD PLAN A77C10  
DATED MAY 20, 2011 - PAGE 58 OF THE STANDARD PLANS BOOK DATED 2010.

**REVISED STANDARD PLAN RSP A77C10**

CANCELED JULY 19 2013

TO ACCOMPANY PLANS DATED

O M

2010 REVISED STANDARD PLAN RSP A77C10