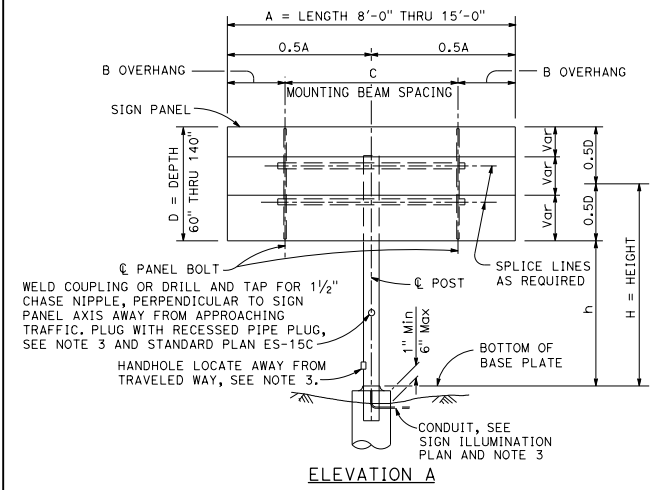


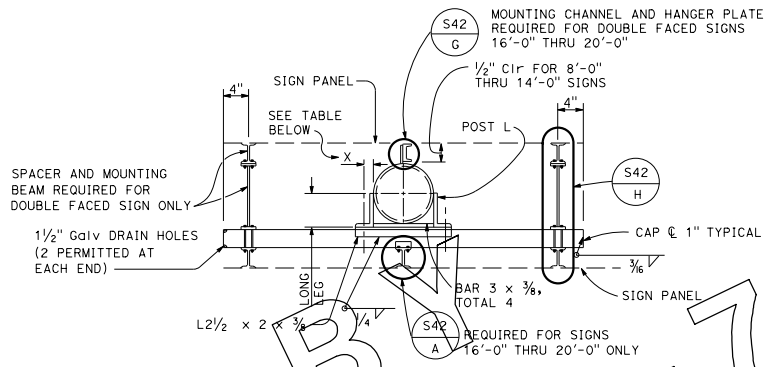
DIST	COUNTY	ROUTE	POST MILES TOTAL PROJECT	SHEET NO.	TOTAL SHEETS

REGISTERED CIVIL ENGINEER
 Stanley P. Johnson
 No. C67393
 Exp. 3-31-12
 CIVIL
 STATE OF CALIFORNIA

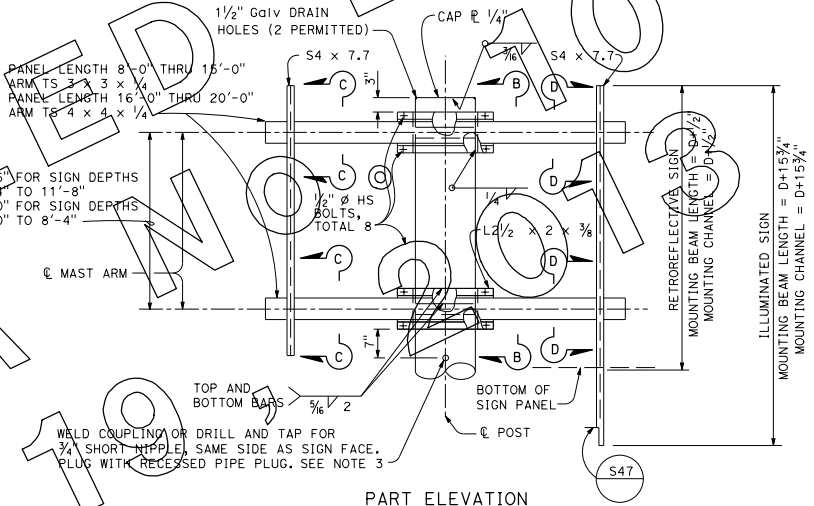
MAY 20, 2011
 PLANS APPROVAL DATE
 THE STATE OF CALIFORNIA OR ITS OFFICERS OR AGENTS SHALL NOT BE RESPONSIBLE FOR THE ACCURACY OR COMPLETENESS OF SCANNED COPIES OF THIS PLAN SHEET.



ELEVATION A



PART ELEVATION



ELEVATION B

MOUNTING BEAM SPACING

SIGN PANEL LENGTH	NUMBER MOUNTING BEAMS	SIGN PANEL OVERHANG	MOUNTING BEAM SPACING		
A	B	C	D	E	
5'-0"	2	9"	3'-6"		
6'-0"		1'-0"	4'-0"		
7'-0"		1'-3"	4'-6"		
8'-0"		1'-6"	5'-0"		
9'-0"		1'-10"	5'-4"		
10'-0"		2'-0"	6'-0"		
11'-0"		2'-0"	7'-0"		
12'-0"		2'-6"	7'-0"		
13'-0"		2'-6"	8'-0"		
14'-0"		2'-6"	9'-0"		
15'-0"		3'-0"	9'-0"		
16'-0"	3	6"	7'-6"	7'-6"	
17'-0"		1'-0"	7'-6"	7'-6"	
18'-0"		1'-0"	8'-0"	8'-0"	
19'-0"		1'-0"	8'-6"	8'-6"	
20'-0"		1'-6"	8'-6"	8'-6"	

NOTES:

- For sections and detail not shown, see S42.
- For post and foundation details, see Standard Plans S48 and S49.
- Drilled holes, plugs, conduit and handhole required on illuminated signs only.
- Optional welded splice in post, see S2.

POST		POST ANGLES		
NPS	Min "+"	ANGLE	X	WELD
6	3/8"	L3 1/2 x 3 x 1/2	1 3/4"	1/4"
6	7/8"	L3 1/2 x 3 x 1/2		
8	5/8"	L5 x 3 x 1/2		
8	1/2"	L5 x 3 x 1/2		
10		L6 x 4 x 5/8	2 1/2"	
12		L7 x 4 x 5/8		3/8"
14		L8 x 4 x 3/4		3/8"
14	5/8"	L8 x 4 x 3/4		3/8"

"+" = Wall thickness

STATE OF CALIFORNIA
 DEPARTMENT OF TRANSPORTATION
**OVERHEAD SIGNS-LIGHTWEIGHT
 BALANCED-SINGLE STEEL POST
 CONNECTION AND
 MOUNTING DETAILS**

NO SCALE

S41

365

2010 STANDARD PLAN S41