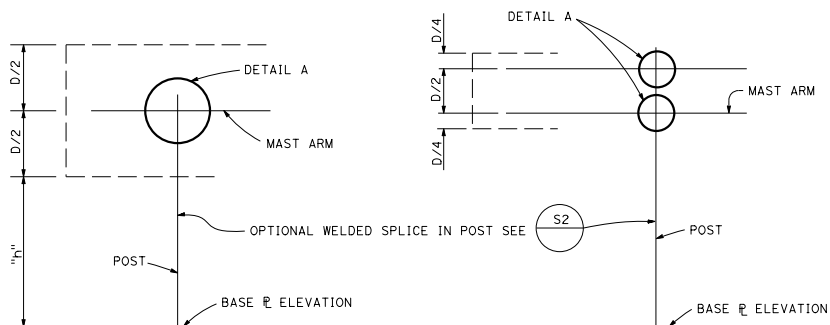


DIST	COUNTY	ROUTE	POST MILES TOTAL PROJECT	SHEET TOTAL SHEETS

Stanley P. Johnson
 REGISTERED CIVIL ENGINEER
 No. 05735
 Exp. 3-31-12
 CIVIL
 STATE OF CALIFORNIA

May 20, 2011
 PLANS APPROVAL DATE
 THE STATE OF CALIFORNIA OR ITS OFFICERS OR AGENTS SHALL NOT BE RESPONSIBLE FOR THE ACCURACY OR COMPLETENESS OF SCANNED COPIES OF THIS PLAN SHEET.



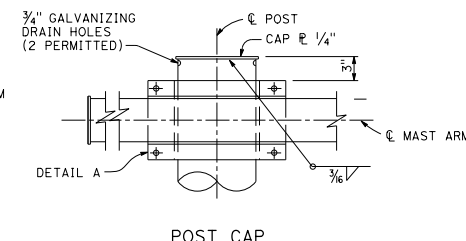
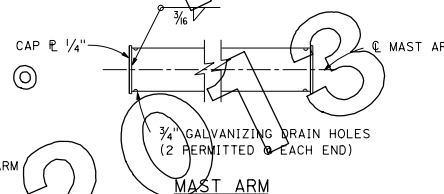
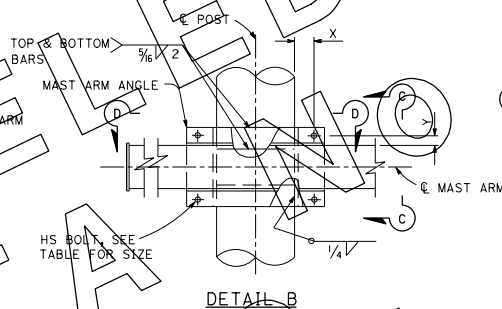
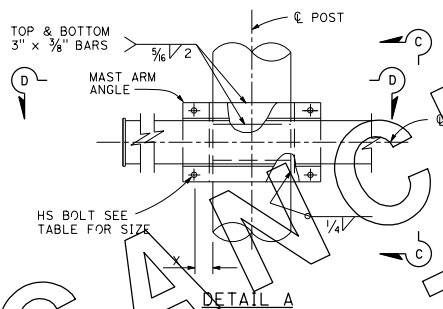
**SINGLE ARM SERIES
TYPE B-1**

**DOUBLE ARM SERIES
TYPE B-2**

POST ANGLES			
NPS	ANGLE	X	WELD
6	L4 x 3 x 1/2	1 3/4"	1/4"
8	L5 x 3 x 1/2	1 3/4"	1/4"
10	L6 x 4 x 5/8	2 1/2"	1/4"
12	L7 x 4 x 5/8	2 1/2"	5/8"
14	L8 x 4 x 3/4	2 1/2"	5/8"

POST TO ARM FRAMING DATA

MAST ARM ANGLES				
ARM SIZE	ANGLE	HS BOLT	Y	WELD
TS 3 x 3 x 1/4	L2 1/2 x 2 1/2 x 3/8	5/8"	1 3/8"	1/4"
TS 4 x 4 x 1/4	L2 1/2 x 2 1/2 x 3/8			
TS 5 x 5 x 1/4	L3 x 2 1/2 x 3/8			
TS 6 x 6 x 1/4	L3 1/2 x 2 1/2 x 3/8			
TS 7 x 7 x 1/4	L4 x 3 x 1/2	3/4"	1 3/4"	3/8"
TS 8 x 8 x 1/4	L5 x 3 x 1/2	7/8"	1 3/4"	5/8"
TS 10 x 10 x 1/4	L6 x 4 x 5/8	1"	2 1/2"	5/8"



END DETAIL

NOTES:

For post connection to base plate see S48.

For mast arm length and mast arm-to-sign panel connections see S46.

SEE PROJECT PLANS FOR:

1. Sign type and location.
2. Panel type and location on structure.
3. Post size and dimension "h".
4. Mast arm size.
5. Foundation type.
6. Illumination if required.

STATE OF CALIFORNIA
DEPARTMENT OF TRANSPORTATION

**OVERHEAD SIGNS-LIGHTWEIGHT
TYPE B
CONNECTION DETAILS**

NO SCALE

S44

2010 STANDARD PLAN S44