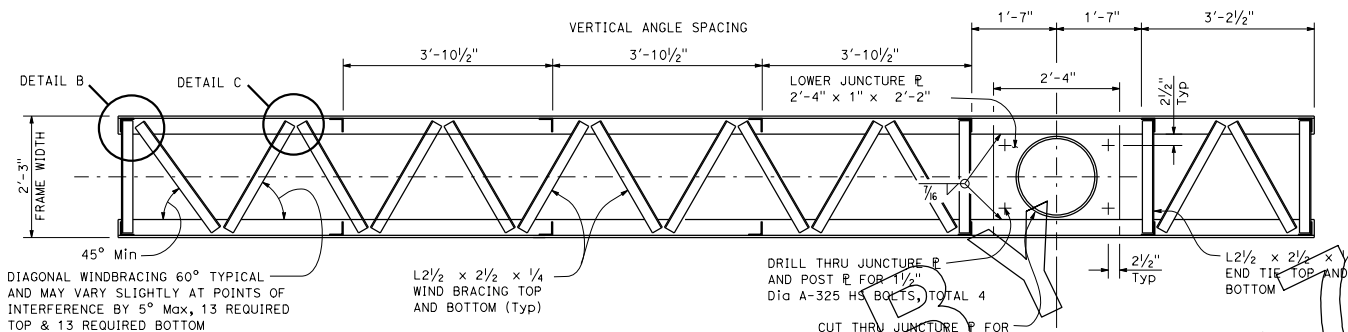


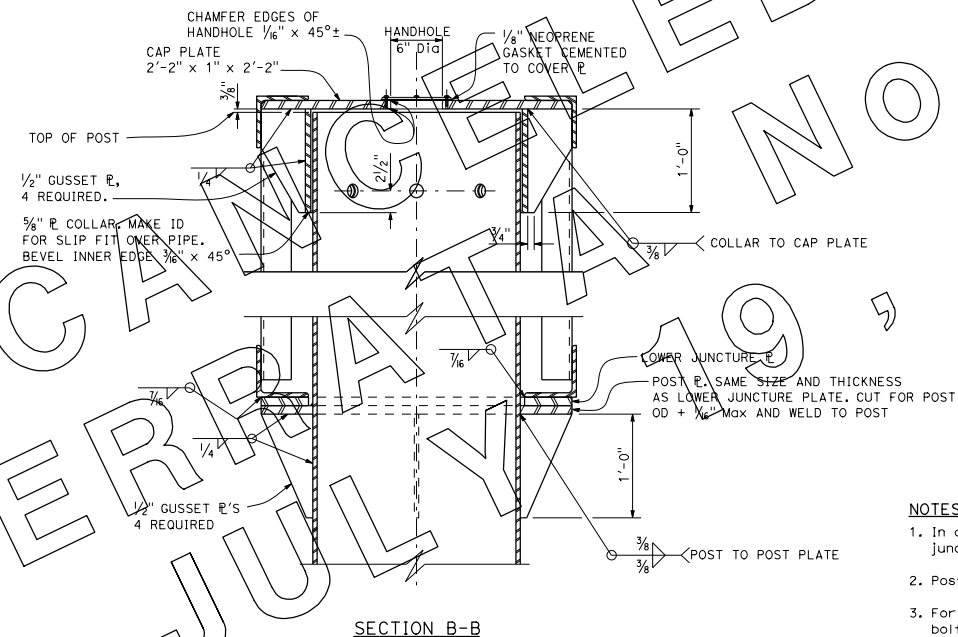
DIST	COUNTY	ROUTE	POST MILES TOTAL PROJECT	SHEET NO.	TOTAL SHEETS

REGISTERED CIVIL ENGINEER  
 Stanley P. Johnson  
 No. CS735  
 Exp. 3-31-12  
 CIVIL  
 STATE OF CALIFORNIA

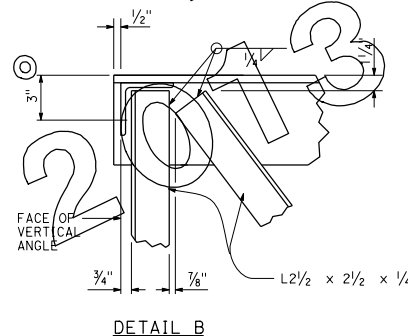
May 20, 2011  
 PLANS APPROVAL DATE  
 THE STATE OF CALIFORNIA OR ITS OFFICERS OR AGENTS SHALL NOT BE RESPONSIBLE FOR THE ACCURACY OR COMPLETENESS OF SCANNED COPIES OF THIS PLAN SHEET.



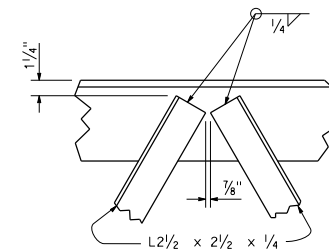
SECTION A-A  
LOWER JUNCTURE CONNECTION



SECTION B-B



DETAIL B



DETAIL C

NOTES:

- In all cases, truss shall be supported at lower juncture connection.
- Post to truss connections shall be fitted in shop.
- For gussets parallel to the sign panel, cut to clear bolts as shown on Standard Plan S125.

STATE OF CALIFORNIA  
 DEPARTMENT OF TRANSPORTATION  
**OVERHEAD SIGN-TRUSS  
 SINGLE POST TYPE  
 FRAME JUNCTURE DETAILS  
 UNBALANCED BUTTERFLY  
 CHANGEABLE MESSAGE SIGNS  
 MODEL 510**

NO SCALE

S123