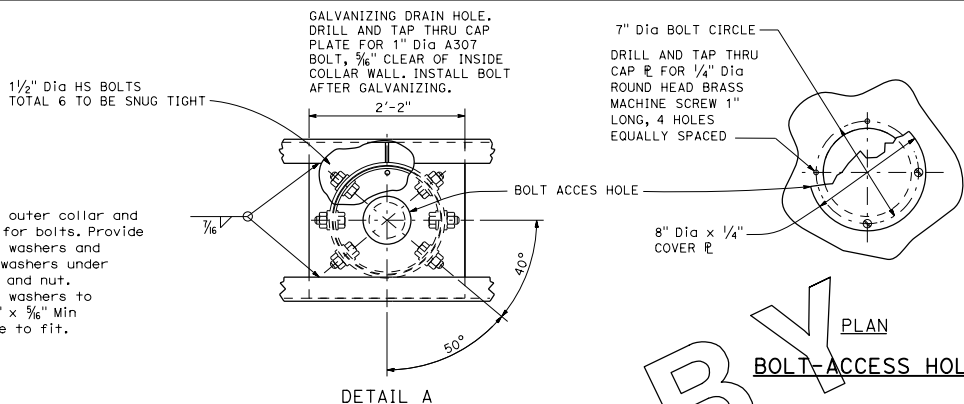


DIST	COUNTY	ROUTE	POST MILES TOTAL PROJECT	SHEET No.	TOTAL SHEETS

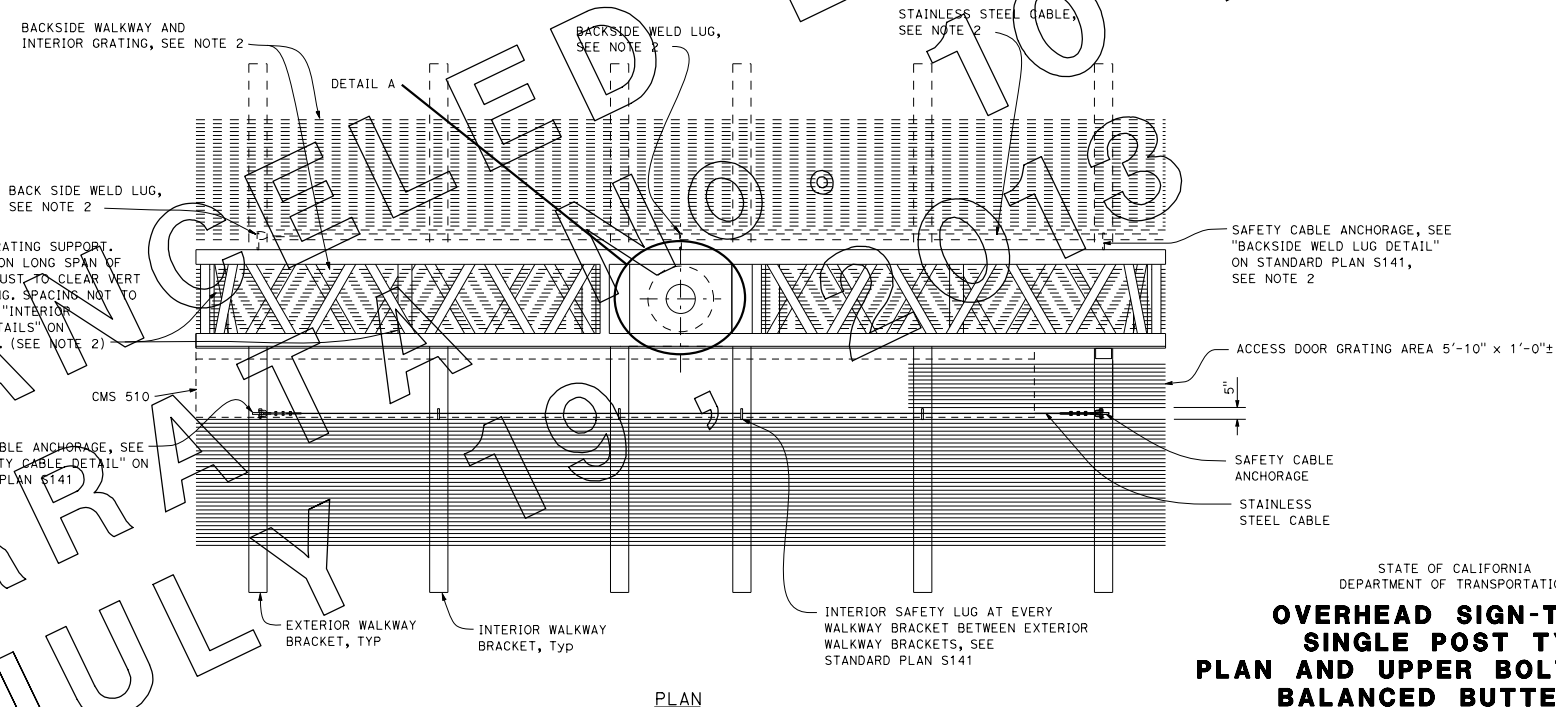
*Stanley P. Johnson*  
 REGISTERED CIVIL ENGINEER  
 No. CS7985  
 Exp. 3-31-12  
 CIVIL  
 STATE OF CALIFORNIA

May 20, 2011  
 PLANS APPROVAL DATE  
 THE STATE OF CALIFORNIA OR ITS OFFICERS OR AGENTS SHALL NOT BE RESPONSIBLE FOR THE ACCURACY OR COMPLETENESS OF SCANNED COPIES OF THIS PLAN SHEET.



**NOTE:**  
Drill thru outer collar and post wall for bolts. Provide contoured washers and hardened washers under bolt head and nut. Contoured washers to be 3" x 3" x 1/16" Min Grind face to fit.

- NOTES:**
- cross-ties at vertical and diagonal angles and internal diagonals not shown for clarity.
  - Interior grating, backside safety cable and backside weld lugs shall be installed only for projects requiring backside walkways.



STATE OF CALIFORNIA  
 DEPARTMENT OF TRANSPORTATION  
**OVERHEAD SIGN-TRUSS  
 SINGLE POST TYPE  
 PLAN AND UPPER BOLT DETAILS  
 BALANCED BUTTERFLY  
 CHANGEABLE MESSAGE SIGNS  
 MODEL 510**

NO SCALE

**S126**

2010 STANDARD PLAN S126