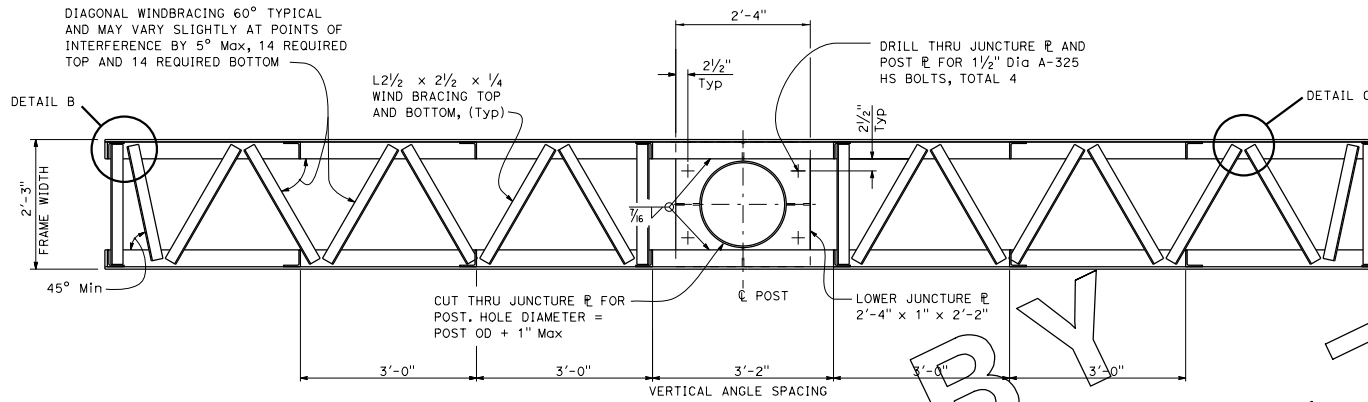


DIST	COUNTY	ROUTE	POST MILES TOTAL PROJECT	SHEET No.	TOTAL SHEETS

Stanley P. Johnson
 REGISTERED CIVIL ENGINEER
 No. C67385
 Exp. 3-31-12
 CIVIL
 STATE OF CALIFORNIA

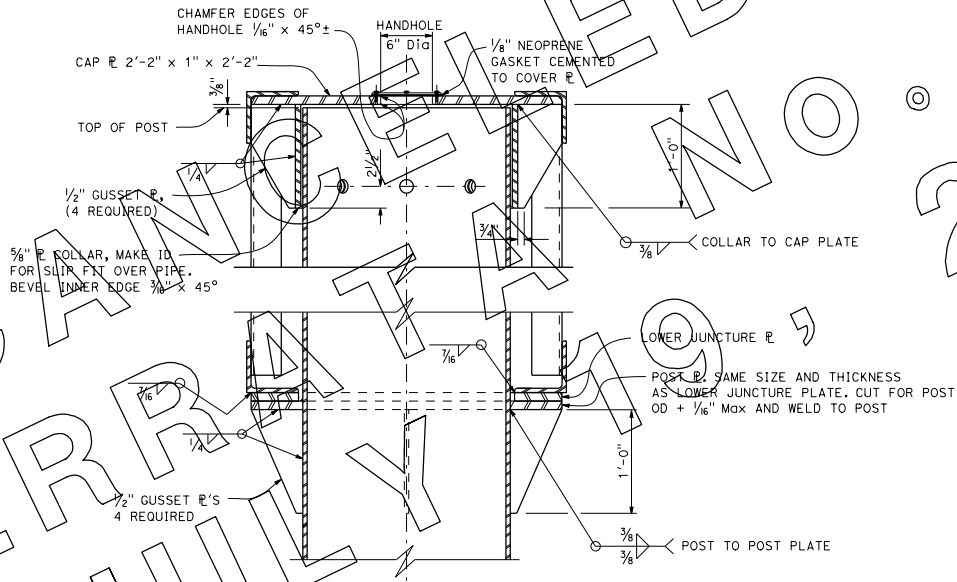
May 20, 2011
 PLANS APPROVAL DATE
 THE STATE OF CALIFORNIA OR ITS OFFICERS OR AGENTS SHALL NOT BE RESPONSIBLE FOR THE ACCURACY OR COMPLETENESS OF SCANNED COPIES OF THIS PLAN SHEET.



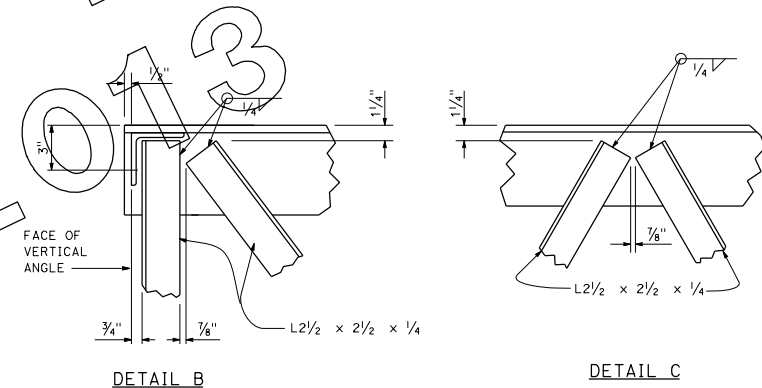
SECTION A-A
LOWER JUNCTURE CONNECTION
See Standard Plan S125

NOTES:

1. In all cases, truss shall be supported at lower junction connection.
2. Post to truss connections shall be fitted in shop.
3. For gussets parallel to the sign panel, cut to clear bolts as shown on Standard Plan S125



SECTION B-B
See Standard Plan S125



DETAIL B

DETAIL C

STATE OF CALIFORNIA
DEPARTMENT OF TRANSPORTATION

**OVERHEAD SIGN-TRUSS
SINGLE POST TYPE
FRAME JUNCTURE DETAILS
BALANCED BUTTERFLY
CHANGEABLE MESSAGE SIGNS
MODEL 510**

NO SCALE

S127