

GRIND EDGES SMOOTH,
ROUGHNESS OF EDGES NO
GREATER THAN 1000 MICROINCHES

1/4" Dia CAP SCREW
TOTAL 4



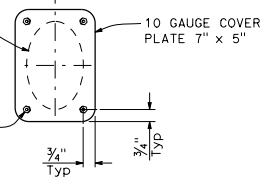
POST WALL
10 GAUGE COVER PLATE 7" x 5"
WITH 1/8" NEOPRENE GASKET
CEMENTED TO COVER PLATE

PLAN

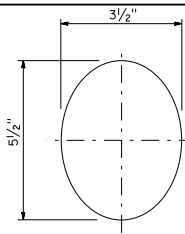
ELLIPTICAL HANDHOLE
OPENING TO MATCH
PATTERN PROVIDED

DRILL AND TAP
FOR 1/4" Dia
CAP SCREWS

∅ HANDHOLE = ∅ PIPE



ELEVATION



PATTERN OF ELLIPTICAL
HANDHOLE CUT OUT

UPPER HANDHOLE AND COVER DETAILS

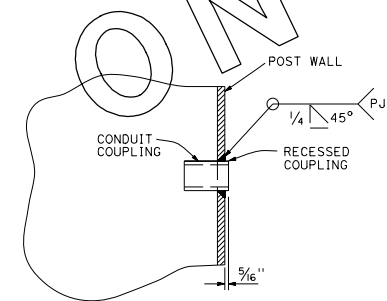
DIST	COUNTY	ROUTE	POST MILES TOTAL PROJECT	SHEET NO.	TOTAL SHEETS

Stanley P. Johnson
REGISTERED CIVIL ENGINEER

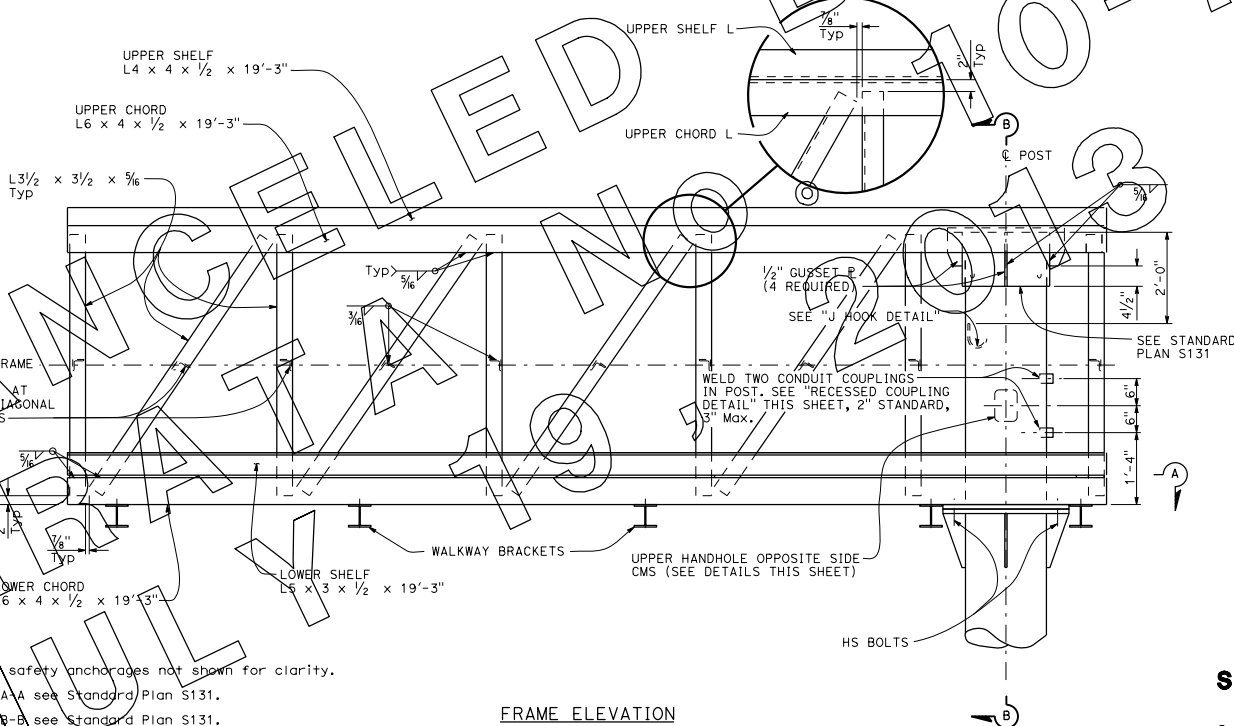
May 20, 2011
PLANS APPROVAL DATE

Stanley P. Johnson
No. C6795
Exp. 3-31-12
CIVIL
STATE OF CALIFORNIA

THE STATE OF CALIFORNIA OR ITS OFFICERS
OR AGENTS SHALL NOT BE RESPONSIBLE FOR
THE ACCURACY OR COMPLETENESS OF SCANNED
COPIES OF THIS PLAN SHEET.



RECESSED COUPLING DETAIL

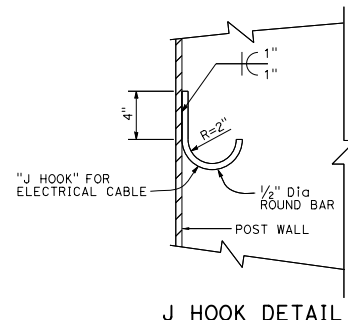


FRAME ELEVATION

See Note 1

NOTES:

1. Walkways and safety anchorages not shown for clarity.
2. For SECTION A-A see Standard Plan S131.
3. For SECTION B-B see Standard Plan S131.



J HOOK DETAIL

STATE OF CALIFORNIA
DEPARTMENT OF TRANSPORTATION

**OVERHEAD SIGN-TRUSS
SINGLE POST TYPE
STRUCTURAL FRAME DETAILS
FULL CANTILEVER
CHANGEABLE MESSAGE SIGNS
MODEL 510**

NO SCALE

S129

2010 STANDARD PLAN S129