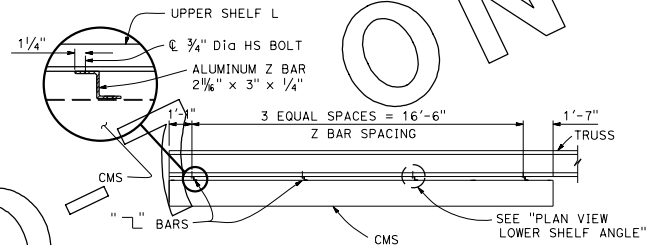
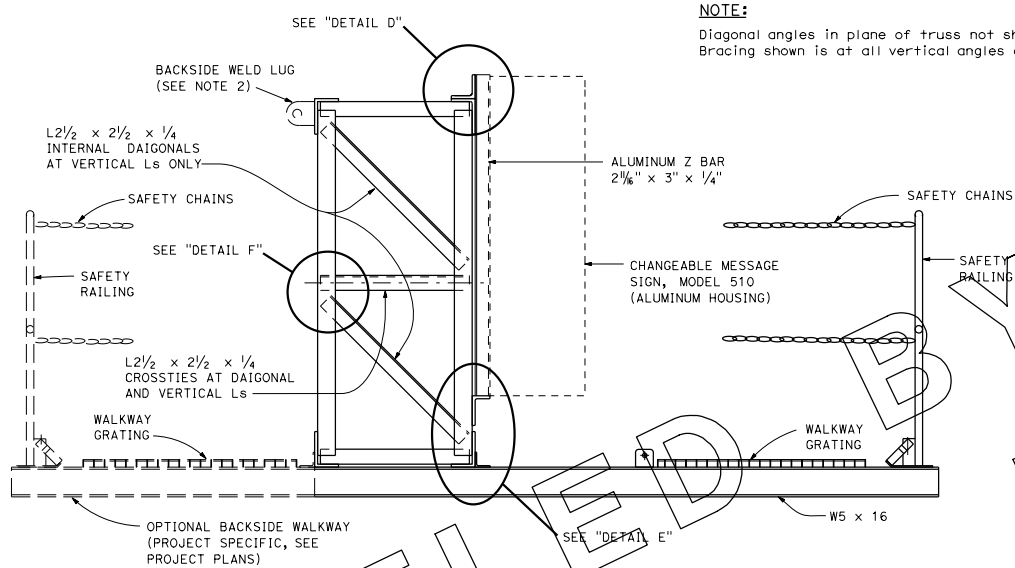


DIST	COUNTY	ROUTE	POST MILES TOTAL PROJECT	SHEET No.	TOTAL SHEETS

**Stanley P. Johnson**  
 REGISTERED CIVIL ENGINEER  
 No. C67395  
 Exp. 3-31-12  
 STATE OF CALIFORNIA

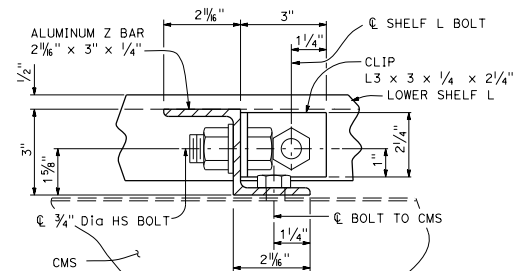
May 20, 2011  
 PLANS APPROVAL DATE

THE STATE OF CALIFORNIA OR ITS OFFICERS  
 OR AGENTS SHALL NOT BE RESPONSIBLE FOR  
 THE ACCURACY OR COMPLETENESS OF SCANNED  
 COPIES OF THIS PLAN SHEET.



ALUMINUM Z BAR SPACING

**NOTE:**  
Z bar spacing and orientation may vary slightly.

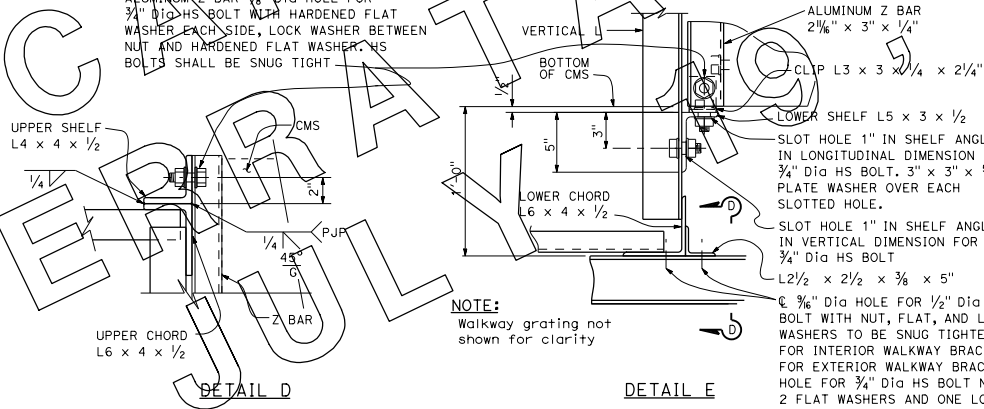


PLAN VIEW LOWER SHELF ANGLE

- NOTES:**
1. Internal walkway members not shown.
  2. Interior grating and backside weld lugs shall be installed only for projects requiring backside walkways.

TYPICAL FRAME SECTION

FOR Z BAR CONNECTIONS ONLY, FIELD DRILL ALUMINUM Z BAR 1/8" DIA HOLE FOR 3/4" DIA HS BOLT WITH HARDENED FLAT WASHER EACH SIDE, LOCK WASHER BETWEEN NUT AND HARDENED FLAT WASHER. HS BOLTS SHALL BE SNUG TIGHT



DETAIL D

DETAIL E

DETAIL F

STATE OF CALIFORNIA  
DEPARTMENT OF TRANSPORTATION

**OVERHEAD SIGN-TRUSS  
SINGLE POST TYPE  
MOUNTING DETAILS  
CHANGEABLE MESSAGE SIGNS  
MODEL 510**

NO SCALE