

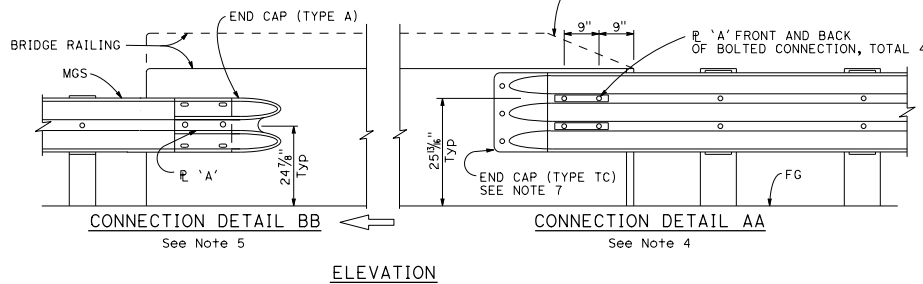
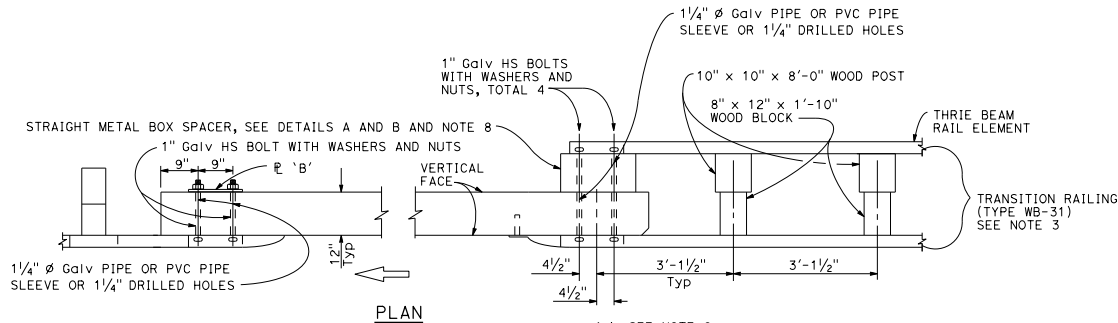
DIST	COUNTY	ROUTE	POST MILES TOTAL PROJECT	SHEET NO.	TOTAL SHEETS

**Randell D. Hiatt**  
REGISTERED CIVIL ENGINEER

July 19, 2013  
PLANS APPROVAL DATE

No. C60200  
Exp. 6-30-15  
CIVIL  
STATE OF CALIFORNIA

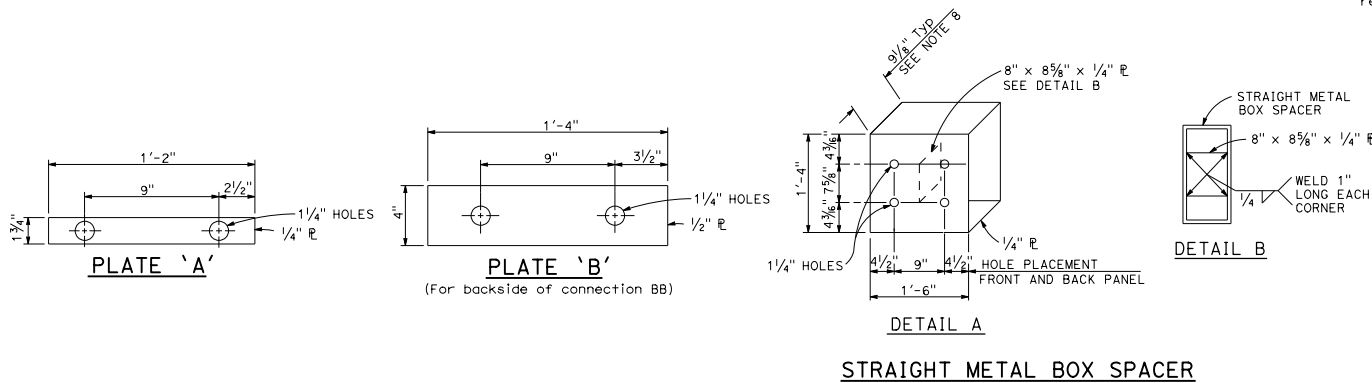
THE STATE OF CALIFORNIA OR ITS OFFICERS OR AGENTS SHALL NOT BE RESPONSIBLE FOR THE ACCURACY OR COMPLETENESS OF SCANNED COPIES OF THIS PLAN SHEET.



**MIDWEST GUARDRAIL SYSTEM CONNECTION TO BRIDGE RAILING WITHOUT SIDEWALK**

**NOTES:**

1. See Revised Standard Plan RSP A77U2 for additional connection details to bridges without sidewalks.
2. Additional details of posts, blocks and hardware are shown on Revised Standard Plans RSP A77M1, RSP A77N1 and RSP A77N2.
3. For additional details of Transition Railing (Type WB-31), see Revised Standard Plan RSP A77U4. Transition Railing (Type WB-31) transitions the 12 gauge MGS railing section to a heavier gage nested thrie beam railing section which is connected to the concrete bridge railing.
4. For typical use of Connection Detail AA, see Layout Types 12A and 12B on Revised Standard Plan RSP A7701, Layout Types 12C and 12D on Revised Standard Plan RSP A7702, and Layout Type 12E on Revised Standard Plan RSP A7703.
5. For typical use of Connection Detail BB, see Layout Type 12D (structure departure railing connection) on Revised Standard Plan RSP A7702 and Layout Type 12DD on Revised Standard Plan RSP A7705.
6. Where the height of the bridge railing exceeds the height of the thrie beam railing by more than 1" at Connection Detail AA, taper the top of the end of the bridge railing at 4:1 to match the top elevation of the thrie beam rail.
7. For details of End Cap (Type TC), see Revised Standard Plan RSP A77U4.
8. See Revised Standard Plan RSP A77U4 for additional details regarding depth dimension for straight metal box spacer.



**STRAIGHT METAL BOX SPACER**

STATE OF CALIFORNIA  
DEPARTMENT OF TRANSPORTATION  
**MIDWEST GUARDRAIL SYSTEM  
CONNECTIONS TO  
BRIDGE RAILINGS  
WITHOUT SIDEWALKS  
DETAILS No. 1**

NO SCALE

RSP A77U1 DATED JULY 19, 2013 SUPPLEMENTS THE STANDARD PLANS BOOK DATED 2010.

**REVISED STANDARD PLAN RSP A77U1**

2010 REVISED STANDARD PLAN RSP A77U1