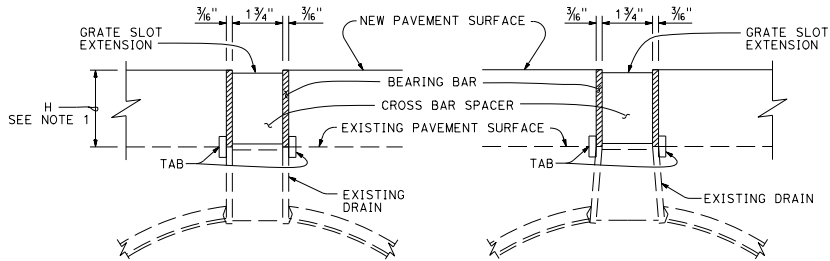
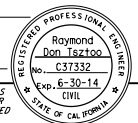


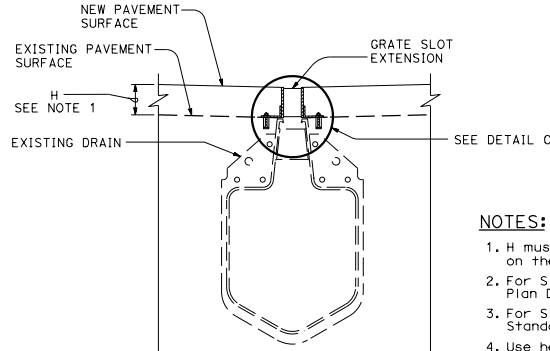
Dist	COUNTY	ROUTE	POST MILES TOTAL PROJECT	SHEET NO.	TOTAL SHEETS
<i>Raymond Don Isztou</i> REGISTERED CIVIL ENGINEER July 19, 2013 PLANS APPROVAL DATE THE STATE OF CALIFORNIA OR ITS OFFICERS OR AGENTS SHALL NOT BE RESPONSIBLE FOR THE ACCURACY OR COMPLETENESS OF SCANNED COPIES OF THIS PLAN SHEET.					
TO ACCOMPANY PLANS DATED _____					



RECTANGULAR SPACER SECTION TAPERED SPACER

**SLOTTED CORRUGATED STEEL PIPE**

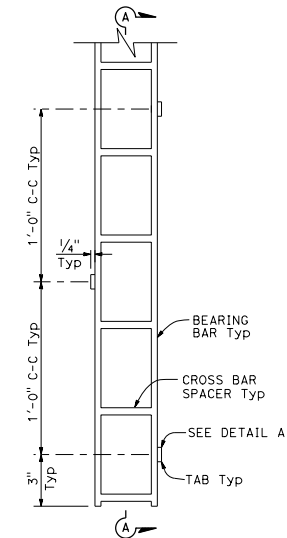
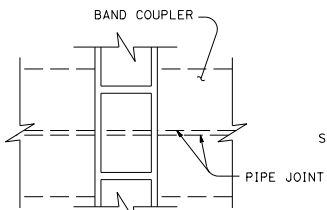
Grate slot extension



SECTION  
**SLOTTED PLASTIC PIPE**  
Grate slot extension

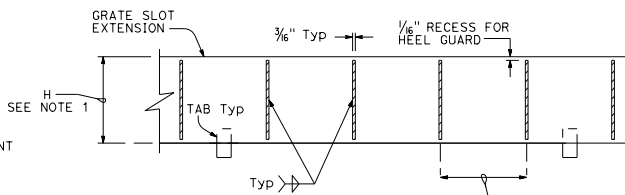
**NOTES:**

- H must be a minimum of 2 1/2", or otherwise shown on the plans.
- For Slotted Plastic Pipe Drain Details, see Standard Plan D98D.
- For Slotted Corrugated Steel Pipe Drain Details, see Standard Plans D98A and D98B.
- Use heel guard when shown. See Standard Plan D98B for heel guard details.
- Minimum grate slot extension length is 80".
- The top corners of the grate slot extension's bearing bars must not vary from a straight line more than 1/2" in 20'-0".
- Cross bar spacers must be welded to the grate slot extension's bearing bars to achieve a minimum tensile strength of 12,000 LB normal to the longitudinal axis of the bearing bars.
- When an existing heel resistant grate for a slotted plastic pipe drain is encountered, use a L3" X 2" X 3/16" with a mechanical expansion anchor centerline offset of 2".

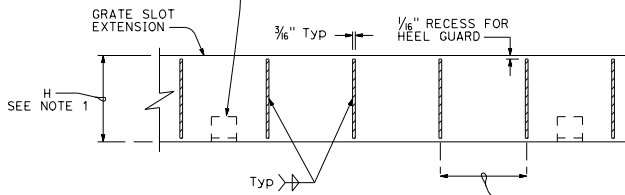


**SLOTTED CORRUGATED STEEL PIPE**

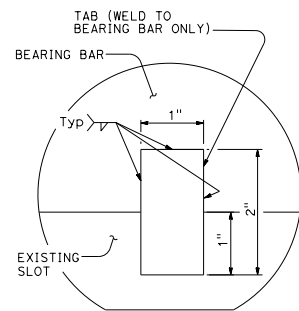
Grate slot extension



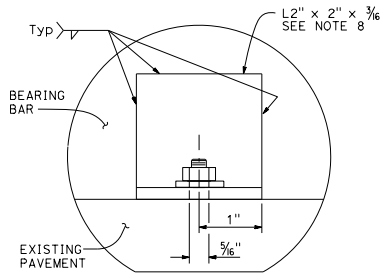
SECTION A-A



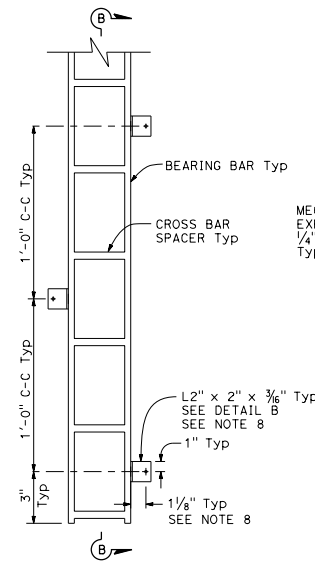
SECTION B-B



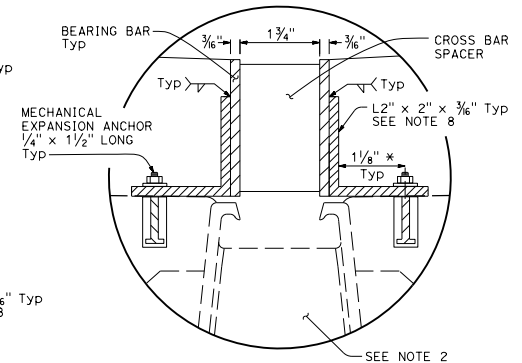
DETAIL A  
Tab alignment



DETAIL B  
Angle alignment



PLAN  
**SLOTTED PLASTIC PIPE**  
Grate slot extension



DETAIL C

\* When an existing heel resistant grate is encountered, this offset is 2".

STATE OF CALIFORNIA  
DEPARTMENT OF TRANSPORTATION  
**SLOTTED PIPE GRATE EXTENSION DETAILS**  
NO SCALE

RSP D98F DATED JULY 19, 2013 SUPPLEMENTS THE STANDARD PLANS BOOK DATED 2010.

**REVISED STANDARD PLAN RSP D98F**

2010 REVISED STANDARD PLAN RSP D98F