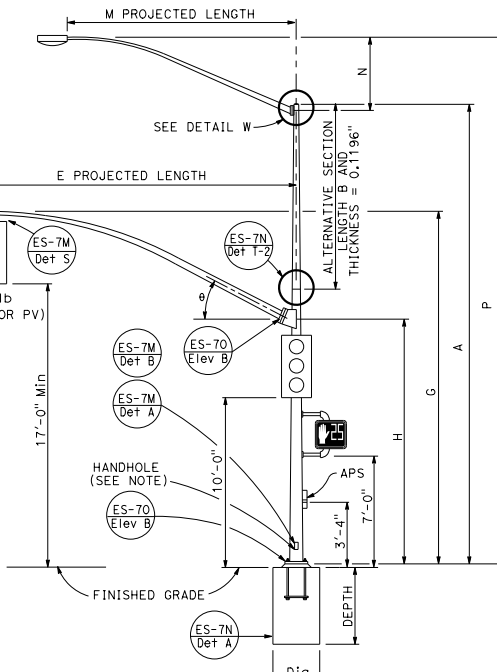


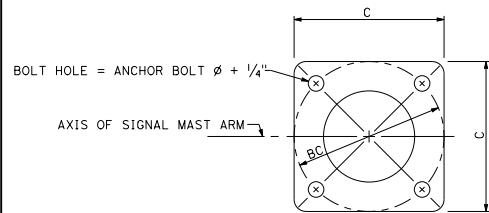
TYPE 16-1-100, 18-1-100

ELEVATION A



TYPE 19-1-100, 19A-1-100

ELEVATION B

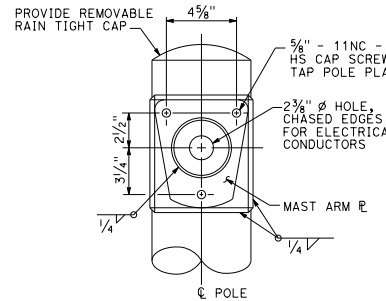


BASE PLATE
DETAIL D

Δ = LUMINAIRE MAST ARM SKEW -90° TO $+90^\circ$
DEFAULT 0°

NOTE:

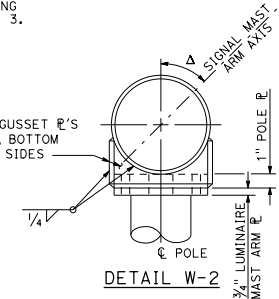
Handhole shall be located on the downstream side of traffic.



DETAIL W-1

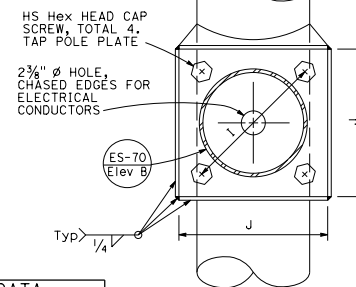
LUMINAIRE MAST ARM CONNECTION

TO ACCOMPANY PLANS DATED _____

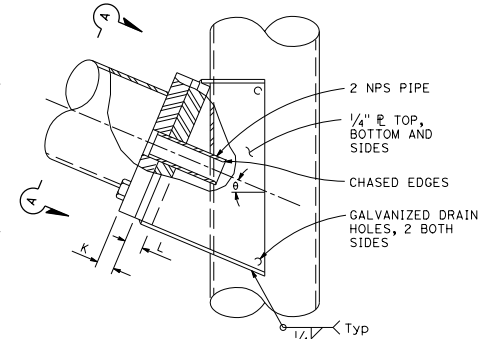


DETAIL W-2

DETAIL W



VIEW A-A



ELEVATION C

SIGNAL MAST ARM CONNECTION

DETAIL C

STATE OF CALIFORNIA
DEPARTMENT OF TRANSPORTATION

ELECTRICAL SYSTEMS (SIGNAL AND LIGHTING STANDARD, CASE 1 SIGNAL MAST ARM LOADING, WIND VELOCITY = 100 MPH AND SIGNAL MAST ARM LENGTHS 15' TO 30')

NO SCALE

RSP ES-7C DATED JULY 19, 2013 SUPERSEDES STANDARD PLAN ES-7C DATED MAY 20, 2011 - PAGE 464 OF THE STANDARD PLANS BOOK DATED 2010.

REVISED STANDARD PLAN RSP ES-7C

SIGNAL MAST ARM DATA										
E PROJECTED LENGTH	G MOUNTING HEIGHT	H	Min OD AT POLE	THICKNESS	I BOLT CIRCLE	HS CAP SCREWS	J PLATE SIZE	K MAST ARM R THICKNESS	L POLE R THICKNESS	θ
15'-0"	21'-8"±	17'-6"	7 3/8"	0.1196"	12"	1 1/4"-7NC-3"	1'-0"	1 1/4"	1 1/2"	23°
20'-0"	22'-8"±	16'-0"								
25'-0"	22'-8"±	16'-0"								
30'-0"	23'-0"±	16'-0"								

LUMINAIRE MAST ARM DATA						
M PROJECTED LENGTH	N RISE	Min OD AT POLE	THICKNESS	P MOUNTING HEIGHT		
6'-0"	2'-0"±	3 1/4"	0.1196"	30'-0" POLE	35'-0" POLE	
8'-0"	2'-6"±	3 1/2"		31'-6"±	36'-6"±	
10'-0"	3'-3"±	3 3/8"		32'-0"±	37'-0"±	
12'-0"	4'-3"±	4"		33'-9"±	38'-9"±	
15'-0"	4'-9"±	4 1/4"		34'-3"±	39'-3"±	

POLE TYPE	LOAD CASE	WIND VELOCITY (mph)	POLE DATA				BASE PLATE DATA				CIDH PILE FOUNDATION				
			A HEIGHT	Min OD	THICKNESS	ALTERNATIVE SECTION B LENGTH	C	BC = BOLT CIRCLE	THICKNESS	ANCHOR BOLT SIZE	LUMINAIRE MAST ARM	SIGNAL MAST ARM	DIAMETER	DEPTH	REINFORCED
16-1-100	1	100	18'-6"	8 1/8"	0.1793"	None	1'-5 1/2"	3"	1 1/2" ϕ x 42"	NONE	15'-0", 20'-0"	2'-6"	9'-0"	YES	
18-1-100			17'-0"	8 3/8"		None				None	NONE				
19-1-100			30'-0"	6 7/8"		10'-0"				6 7/8"	6'-15' [12'-0"]				25'-0", 30'-0"
19A-1-100			35'-0"	5 1/2"		15'-0"				7 7/8"	6'-15' [15'-0"]				

□ INDICATES MAST ARM LENGTH TO BE USED UNLESS OTHERWISE NOTED ON PLANS.

2010 REVISED STANDARD PLAN RSP ES-7C